



## ART. G789B+M587A

### Monomando ducha empotrado

- manetas
- con embellecedores
- desviador giratorio 3 salidas
- entradas de 1/2"
- aislamiento acústico
- solo para montaje vertical

### Fecha

---

### Proyecto/Comentarios

---



---



---



---



---



---



---

#### Parte externa

- |   |             |
|---|-------------|
| <input type="checkbox"/> Cromo                  | 31 02 G789B |
| <input type="checkbox"/> Polished Nickel PVD    | 31 95 G789B |
| <input type="checkbox"/> Matt Gun Metal PVD     | 31 P5 G789B |
| <input type="checkbox"/> Matt British Gold PVD  | 31 P6 G789B |
| <input type="checkbox"/> Matt Copper PVD        | 31 P9 G789B |
| <input type="checkbox"/> Deep Black PVD         | 31 S1 G789B |
| <input type="checkbox"/> Pure Brass PVD         | 31 Q7 G789B |
| <input type="checkbox"/> Raw Metal PVD          | 31 Q8 G789B |
| <input type="checkbox"/> <b>Acero Cepillado</b> | 31 93 G789B |

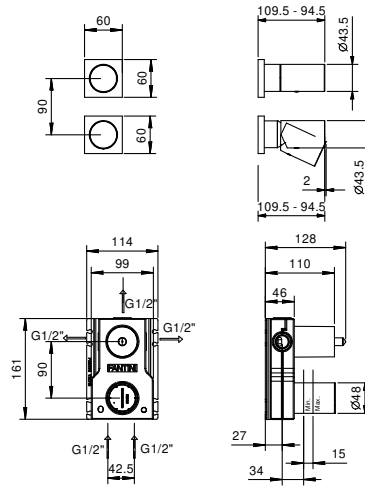
#### Parte empotrable

- |                          |             |
|--------------------------|-------------|
| <input type="checkbox"/> | 44 00 M587A |
|--------------------------|-------------|

#### PRECIO TOTAL

- |  |             |
|--|-------------|
| <input type="checkbox"/> Cromo                 | 31 02 G789B |
| <input type="checkbox"/> Polished Nickel PVD   | 31 95 G789B |
| <input type="checkbox"/> Matt Gun Metal PVD    | 31 P5 G789B |
| <input type="checkbox"/> Matt British Gold PVD | 31 P6 G789B |
| <input type="checkbox"/> Matt Copper PVD       | 31 P9 G789B |
| <input type="checkbox"/> Deep Black PVD        | 31 S1 G789B |
| <input type="checkbox"/> Pure Brass PVD        | 31 Q7 G789B |
| <input type="checkbox"/> Raw Metal PVD         | 31 Q8 G789B |
| <input type="checkbox"/> Acero Cepillado       | 31 93 G789B |

**ART. G789B+M587A**  
**Monomando ducha empotrado**



**Salida 1**

Presiòn(bar)	Caudal (l/min)
0.5	9.25
1	12.87
2	18.34
3	22.32
4	25.59

**Salida 2**

Presiòn(bar)	Caudal (l/min)
0.5	7.81
1	10.87
2	15.31
3	18.62
4	21.55

**Salida 3**

Presiòn(bar)	Caudal (l/min)
0.5	8.14
1	11.34
2	15.99
3	19.42
4	22.43