

ART. G872B+D372A

Monomando termostático ducha empotrado 3/4"

- manetas
- desviador giratorio con cierre 2 salidas
- solo para montaje horizontal
- entradas de 3/4"

Fecha

Proyecto/Comentarios

Parte externa

- | | |
|---|-------------|
| <input type="checkbox"/> Cromo | 31 02 G872B |
| <input type="checkbox"/> Polished Nickel PVD | 31 95 G872B |
| <input type="checkbox"/> Matt Gun Metal PVD | 31 P5 G872B |
| <input type="checkbox"/> Matt British Gold PVD | 31 P6 G872B |
| <input type="checkbox"/> Matt Copper PVD | 31 P9 G872B |
| <input type="checkbox"/> Deep Black PVD | 31 S1 G872B |
| <input type="checkbox"/> Pure Brass PVD | 31 Q7 G872B |
| <input type="checkbox"/> Raw Metal PVD | 31 Q8 G872B |
| <input type="checkbox"/> Acero Cepillado | 31 93 G872B |

Parte empotrable

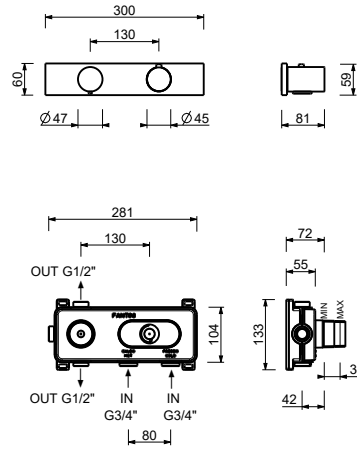
- | | |
|--------------------------|-------------|
| <input type="checkbox"/> | 19 00 D372A |
|--------------------------|-------------|

PRECIO TOTAL

- | | |
|--|-------------|
| <input type="checkbox"/> Cromo | 31 02 G872B |
| <input type="checkbox"/> Polished Nickel PVD | 31 95 G872B |
| <input type="checkbox"/> Matt Gun Metal PVD | 31 P5 G872B |
| <input type="checkbox"/> Matt British Gold PVD | 31 P6 G872B |
| <input type="checkbox"/> Matt Copper PVD | 31 P9 G872B |
| <input type="checkbox"/> Deep Black PVD | 31 S1 G872B |
| <input type="checkbox"/> Pure Brass PVD | 31 Q7 G872B |
| <input type="checkbox"/> Raw Metal PVD | 31 Q8 G872B |
| <input type="checkbox"/> Acero Cepillado | 31 93 G872B |

ART. G872B+D372A

Monomando termostático ducha empotrado 3/4"



Salida 1

Presión(bar)	Caudal (l/min)
0.5	8.86
1	12.53
2	17.57
3	21.63
4	25.02

Salida 2

Presión(bar)	Caudal (l/min)
0.5	7.91
1	11.03
2	15.47
3	19.01
4	21.98

Salida 3

Presión(bar)	Caudal (l/min)
0.5	7.6
1	10.79
2	15.43
3	18.87
4	21.91