

## ART. G873B+D373A

### Mitigeur thermostatique douche à encastrer 3/4"

- manettes
- inverseur 3 sorties à rotation avec arrêt
- seulement installation horizontale
- entrées en 3/4"

### Date

---

### Projet/Commentaire

---



---



---



---



---



---



---

#### Partie externe

- |  |             |
|--|-------------|
| <input type="checkbox"/> Chromé                | 31 02 G873B |
| <input type="checkbox"/> Polished Nickel PVD   | 31 95 G873B |
| <input type="checkbox"/> Matt Gun Metal PVD    | 31 P5 G873B |
| <input type="checkbox"/> Matt British Gold PVD | 31 P6 G873B |
| <input type="checkbox"/> Matt Copper PVD       | 31 P9 G873B |
| <input type="checkbox"/> Deep Black PVD        | 31 S1 G873B |
| <input type="checkbox"/> Pure Brass PVD        | 31 Q7 G873B |
| <input type="checkbox"/> Raw Metal PVD         | 31 Q8 G873B |
| <input type="checkbox"/> <b>Acier Brossé</b>   | 31 93 G873B |

#### Piece Partie à encastrer

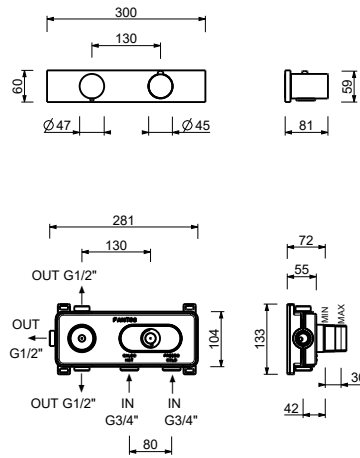
- |                          |             |
|--------------------------|-------------|
| <input type="checkbox"/> | 19 00 D373A |
|--------------------------|-------------|

#### PRIX TOTAL

- |  |             |
|--|-------------|
| <input type="checkbox"/> Chromé                | 31 02 G873B |
| <input type="checkbox"/> Polished Nickel PVD   | 31 95 G873B |
| <input type="checkbox"/> Matt Gun Metal PVD    | 31 P5 G873B |
| <input type="checkbox"/> Matt British Gold PVD | 31 P6 G873B |
| <input type="checkbox"/> Matt Copper PVD       | 31 P9 G873B |
| <input type="checkbox"/> Deep Black PVD        | 31 S1 G873B |
| <input type="checkbox"/> Pure Brass PVD        | 31 Q7 G873B |
| <input type="checkbox"/> Raw Metal PVD         | 31 Q8 G873B |
| <input type="checkbox"/> Acier Brossé          | 31 93 G873B |

## ART. G873B+D373A

Mitigeur thermostatique douche à encastrer 3/4"



### Sortie 1

| Pression(bar) | Débit (l/min) |
|---------------|---------------|
| 0.5           | 8.86          |
| 1             | 12.53         |
| 2             | 17.57         |
| 3             | 21.63         |
| 4             | 25.02         |

### Sortie 2

| Pression(bar) | Débit (l/min) |
|---------------|---------------|
| 0.5           | 7.91          |
| 1             | 11.03         |
| 2             | 15.47         |
| 3             | 19.01         |
| 4             | 21.98         |