

ART. G781B+M685A

Monomando ducha empotrado

- manetas
- con embellecedores
- desviador giratorio 2 salidas
- entradas de 1/2"
- aislamiento acústico
- solo para montaje horizontal

Fecha

Proyecto/Comentarios

Parte externa

- | | |
|---|-------------|
| <input type="checkbox"/> Cromo | 31 02 G781B |
| <input type="checkbox"/> Polished Nickel PVD | 31 95 G781B |
| <input type="checkbox"/> Matt Gun Metal PVD | 31 P5 G781B |
| <input type="checkbox"/> Matt British Gold PVD | 31 P6 G781B |
| <input type="checkbox"/> Matt Copper PVD | 31 P9 G781B |
| <input type="checkbox"/> Deep Black PVD | 31 S1 G781B |
| <input type="checkbox"/> Pure Brass PVD | 31 Q7 G781B |
| <input type="checkbox"/> Raw Metal PVD | 31 Q8 G781B |
| <input type="checkbox"/> Acero Cepillado | 31 93 G781B |

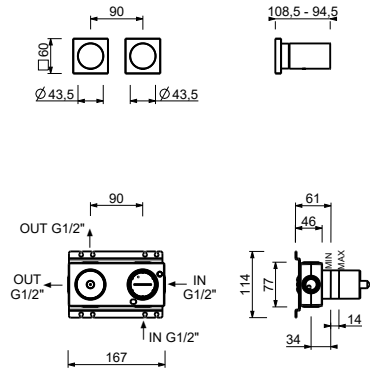
Parte empotrable

- | | |
|--------------------------|-------------|
| <input type="checkbox"/> | 44 00 M685A |
|--------------------------|-------------|

PRECIO TOTAL

- | | |
|--|-------------|
| <input type="checkbox"/> Cromo | 31 02 G781B |
| <input type="checkbox"/> Polished Nickel PVD | 31 95 G781B |
| <input type="checkbox"/> Matt Gun Metal PVD | 31 P5 G781B |
| <input type="checkbox"/> Matt British Gold PVD | 31 P6 G781B |
| <input type="checkbox"/> Matt Copper PVD | 31 P9 G781B |
| <input type="checkbox"/> Deep Black PVD | 31 S1 G781B |
| <input type="checkbox"/> Pure Brass PVD | 31 Q7 G781B |
| <input type="checkbox"/> Raw Metal PVD | 31 Q8 G781B |
| <input type="checkbox"/> Acero Cepillado | 31 93 G781B |

ART. G781B+M685A
Monomando ducha empotrado



Salida 1

Presiòn(bar)	Caudal (l/min)
0.5	8.44
1	11.7
2	16.47
3	20.34
4	23.43

Salida 2

Presiòn(bar)	Caudal (l/min)
0.5	7.45
1	10.47
2	14.59
3	17.9
4	20.7