



## ART. J085B+M585A

### Built-in shower mixer

- handles
- 2-way diverter with turning knob
- 1/2" inlets
- soundproof
- for vertical installation only

Date \_\_\_\_\_

Project/Comments: \_\_\_\_\_  
 \_\_\_\_\_  
 \_\_\_\_\_  
 \_\_\_\_\_  
 \_\_\_\_\_  
 \_\_\_\_\_

### External piece

- |  |             |
|--|-------------|
| <input type="checkbox"/> Matt Gun Metal PVD    | 67 P5 J085B |
| <input type="checkbox"/> Matt British Gold PVD | 67 P6 J085B |
| <input type="checkbox"/> Deep Black PVD        | 67 S1 J085B |

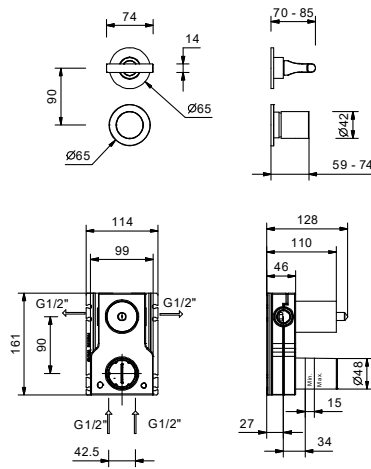
### Built-in piece

- |                          |             |
|--------------------------|-------------|
| <input type="checkbox"/> | 44 00 M585A |
|--------------------------|-------------|

### TOTAL PRICE

- |  |             |
|--|-------------|
| <input type="checkbox"/> Matt Gun Metal PVD    | 67 P5 J085B |
| <input type="checkbox"/> Matt British Gold PVD | 67 P6 J085B |
| <input type="checkbox"/> Deep Black PVD        | 67 S1 J085B |

**ART. J085B+M585A**  
 Built-in shower mixer



**Way number 1**

Pressure(bar)	Flow rate (l/min)
0.5	8.44
1	11.87
2	16.79
3	20.5
4	23.76

**Way number 2**

Pressure(bar)	Flow rate (l/min)
0.5	7.45
1	10.47
2	14.59
3	17.9
4	20.7