



ART. J023B+M523A

Monomando termostático ducha empotrado 1/2"

- manetas
- con embellecedores
- desviador giratorio 2 salidas
- entradas de 1/2"
- aislamiento acústico
- solo para montaje vertical

Fecha

Proyecto/Comentarios

Parte externa

- | | |
|--|-------------|
| <input type="checkbox"/> Matt Gun Metal PVD | 67 P5 J023B |
| <input type="checkbox"/> Matt British Gold PVD | 67 P6 J023B |
| <input type="checkbox"/> Deep Black PVD | 67 S1 J023B |

Parte empotrable

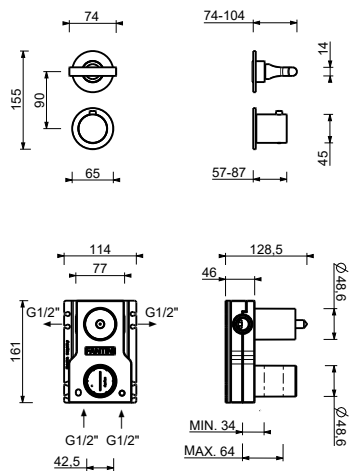
- | | |
|--------------------------|-------------|
| <input type="checkbox"/> | 44 00 M523A |
|--------------------------|-------------|

PRECIO TOTAL

- | | |
|--|-------------|
| <input type="checkbox"/> Matt Gun Metal PVD | 67 P5 J023B |
| <input type="checkbox"/> Matt British Gold PVD | 67 P6 J023B |
| <input type="checkbox"/> Deep Black PVD | 67 S1 J023B |

ART. J023B+M523A

Monomando termostático ducha empotrado 1/2"



Salida 1

| Presión(bar) | Caudal (l/min) |
|--------------|----------------|
| 0.5 | 8.44 |
| 1 | 11.87 |
| 2 | 16.79 |
| 3 | 20.5 |
| 4 | 23.76 |

Salida 2

| Presión(bar) | Caudal (l/min) |
|--------------|----------------|
| 0.5 | 7.45 |
| 1 | 10.47 |
| 2 | 14.59 |
| 3 | 17.9 |
| 4 | 20.7 |