

**ART. J085B+M685A**

**Built-in shower mixer**

- handles
- 2-way diverter with turning knob
- 1/2" inlets
- soundproof
- for horizontal installation only

**Date**

---

**Project/Comments:**

---



---



---



---



---



---



---

**External piece**

- |  |             |
|--|-------------|
| <input type="checkbox"/> Matt Gun Metal PVD    | 67 P5 J085B |
| <input type="checkbox"/> Matt British Gold PVD | 67 P6 J085B |
| <input type="checkbox"/> Deep Black PVD        | 67 S1 J085B |

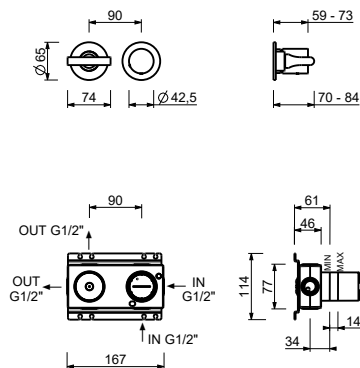
**Built-in piece**

- |                          |             |
|--------------------------|-------------|
| <input type="checkbox"/> | 44 00 M685A |
|--------------------------|-------------|

**TOTAL PRICE**

- |  |             |
|--|-------------|
| <input type="checkbox"/> Matt Gun Metal PVD    | 67 P5 J085B |
| <input type="checkbox"/> Matt British Gold PVD | 67 P6 J085B |
| <input type="checkbox"/> Deep Black PVD        | 67 S1 J085B |

**ART. J085B+M685A**  
**Built-in shower mixer**



**Way number 1**

Pressure(bar)	Flow rate (l/min)
0.5	8.44
1	11.7
2	16.47
3	20.34
4	23.43

**Way number 2**

Pressure(bar)	Flow rate (l/min)
0.5	7.45
1	10.47
2	14.59
3	17.9
4	20.7