



ART. J019B+R019A

Built-in bathtub mixer

- spout projection 20 cm
- handles
- 2-way diverter with turning knob
- FIT handshower
- water plug with showerholder
- 150 cm PVC flexible
- 90° ceramic cartridge
- 1/2" inlets

Date _____

Project/Comments: _____

External piece

- | | |
|--|-------------|
| <input type="checkbox"/> Matt Gun Metal PVD | 67 P5 J019B |
| <input type="checkbox"/> Matt British Gold PVD | 67 P6 J019B |
| <input type="checkbox"/> Deep Black PVD | 67 S1 J019B |

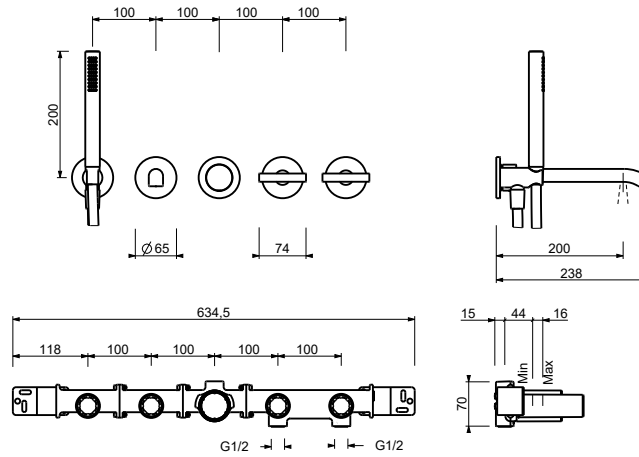
Built-in piece

- | | |
|--------------------------|-------------|
| <input type="checkbox"/> | 44 00 R019A |
|--------------------------|-------------|

TOTAL PRICE

- | | |
|--|-------------|
| <input type="checkbox"/> Matt Gun Metal PVD | 67 P5 J019B |
| <input type="checkbox"/> Matt British Gold PVD | 67 P6 J019B |
| <input type="checkbox"/> Deep Black PVD | 67 S1 J019B |

ART. J019B+R019A
Built-in bathtub mixer



• **Integrated aerator**

Pressure(bar)	Flow rate (l/min)
0.5	8.65
1	13.51
2	18.76
3	23.12
4	26.86

• **handshower**

Pressure(bar)	Flow rate (l/min)
0.5	4.05
1	5.79
2	7.83
3	8.64
4	8.25