



## ART. H792B+H590A

### Stop valve

- ON/OFF button with flow rate adjustment AUX Screen-printing
- soundproof
- for horizontal and vertical installation
- 1/2" inlets

Date \_\_\_\_\_

Project/Comments: \_\_\_\_\_  
\_\_\_\_\_  
\_\_\_\_\_  
\_\_\_\_\_  
\_\_\_\_\_  
\_\_\_\_\_

### External piece

- |  |             |
|--|-------------|
| <input type="checkbox"/> Matt Gun Metal PVD    | 87 P5 H792B |
| <input type="checkbox"/> Matt British Gold PVD | 87 P6 H792B |
| <input type="checkbox"/> Deep Black PVD        | 87 S1 H792B |

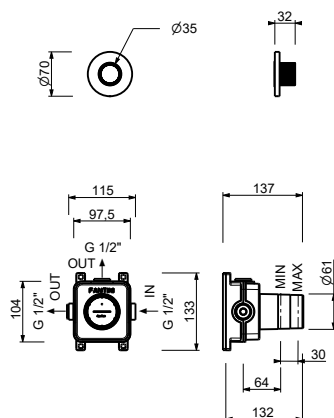
### Built-in piece

- |                          |             |
|--------------------------|-------------|
| <input type="checkbox"/> | 44 00 H590A |
|--------------------------|-------------|

### TOTAL PRICE

- |  |             |
|--|-------------|
| <input type="checkbox"/> Matt Gun Metal PVD    | 87 P5 H792B |
| <input type="checkbox"/> Matt British Gold PVD | 87 P6 H792B |
| <input type="checkbox"/> Deep Black PVD        | 87 S1 H792B |

**ART. H792B+H590A**  
**Stop valve**



**Way number 1**

Pressure(bar)	Flow rate (l/min)
0.5	4.48
1	14.23
2	21.17
3	26.38
4	30.71