

**ART. G572B+D372A**

**3/4" built-in thermostatic shower mixer**

- handles
- 2-way shut-off diverter with turning knob
- for horizontal installation only
- 3/4" inlets

**Date** \_\_\_\_\_

**Project/Comments:** \_\_\_\_\_

\_\_\_\_\_

\_\_\_\_\_

\_\_\_\_\_

\_\_\_\_\_

\_\_\_\_\_

\_\_\_\_\_

**External piece**

- |  |             |
|--|-------------|
| <input type="checkbox"/> Chrome                | 87 02 G572B |
| <input type="checkbox"/> Matt Black            | 87 13 G572B |
| <input type="checkbox"/> Matt Gun Metal PVD    | 87 P5 G572B |
| <input type="checkbox"/> Matt British Gold PVD | 87 P6 G572B |
| <input type="checkbox"/> Matt Copper PVD       | 87 P9 G572B |
| <input type="checkbox"/> Deep Black PVD        | 87 S1 G572B |

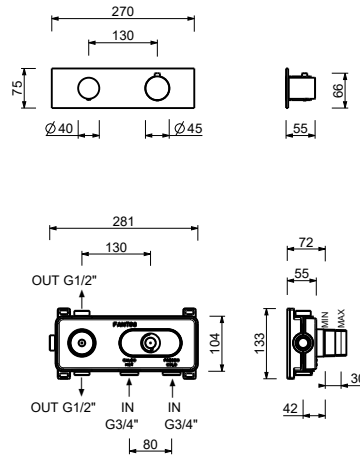
**Built-in piece**

- |                          |             |
|--------------------------|-------------|
| <input type="checkbox"/> | 19 00 D372A |
|--------------------------|-------------|

**TOTAL PRICE**

- |  |             |
|--|-------------|
| <input type="checkbox"/> Chrome                | 87 02 G572B |
| <input type="checkbox"/> Matt Black            | 87 13 G572B |
| <input type="checkbox"/> Matt Gun Metal PVD    | 87 P5 G572B |
| <input type="checkbox"/> Matt British Gold PVD | 87 P6 G572B |
| <input type="checkbox"/> Matt Copper PVD       | 87 P9 G572B |
| <input type="checkbox"/> Deep Black PVD        | 87 S1 G572B |

**ART. G572B+D372A**  
**3/4" built-in thermostatic shower mixer**



**Way number 1**

Pressure(bar)	Flow rate (l/min)
0.5	8.86
1	12.53
2	17.57
3	21.63
4	25.02

**Way number 2**

Pressure(bar)	Flow rate (l/min)
0.5	7.91
1	11.03
2	15.47
3	19.01
4	21.98