

## ART. G573B+D373A

### Monomando termostático ducha empotrado 3/4"

- manetas
- desviador giratorio con cierre 3 salidas
- solo para montaje horizontal
- entradas de 3/4"

### Fecha

### Proyecto/Comentarios

#### Parte externa

- |  |             |
|--|-------------|
| <input type="checkbox"/> Cromo                 | 87 02 G573B |
| <input type="checkbox"/> Negro Opaco           | 87 13 G573B |
| <input type="checkbox"/> Matt Gun Metal PVD    | 87 P5 G573B |
| <input type="checkbox"/> Matt British Gold PVD | 87 P6 G573B |
| <input type="checkbox"/> Matt Copper PVD       | 87 P9 G573B |
| <input type="checkbox"/> Deep Black PVD        | 87 S1 G573B |

#### Parte empotrable

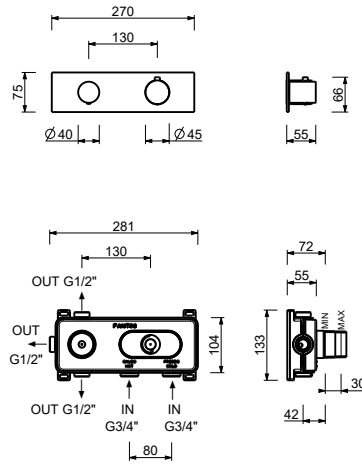
- |                          |             |
|--------------------------|-------------|
| <input type="checkbox"/> | 19 00 D373A |
|--------------------------|-------------|

#### PRECIO TOTAL

- |  |             |
|--|-------------|
| <input type="checkbox"/> Cromo                 | 87 02 G573B |
| <input type="checkbox"/> Negro Opaco           | 87 13 G573B |
| <input type="checkbox"/> Matt Gun Metal PVD    | 87 P5 G573B |
| <input type="checkbox"/> Matt British Gold PVD | 87 P6 G573B |
| <input type="checkbox"/> Matt Copper PVD       | 87 P9 G573B |
| <input type="checkbox"/> Deep Black PVD        | 87 S1 G573B |

## ART. G573B+D373A

Monomando termostático ducha empotrado 3/4"



### Salida 1

Presión(bar)	Caudal (l/min)
0.5	8.86
1	12.53
2	17.57
3	21.63
4	25.02

### Salida 2

Presión(bar)	Caudal (l/min)
0.5	7.91
1	11.03
2	15.47
3	19.01
4	21.98

### Salida 3

Presión(bar)	Caudal (l/min)
0.5	7.6
1	10.79
2	15.43
3	18.87
4	21.91