



## ART. G423B+M523A

### Miscelatore termostatico doccia incasso 1/2"

- maniglie
- con rosoni
- deviatore a rotazione a 2 uscite
- ingressi da 1/2"
- isolamento acustico
- solo per montaggio verticale

### Data

---

### Progetto/Note

---



---



---



---



---



---



---

#### Parte esterna

- |  |             |
|--|-------------|
| <input type="checkbox"/> Cromo                 | 87 02 G423B |
| <input type="checkbox"/> Nero Opaco            | 87 13 G423B |
| <input type="checkbox"/> Matt Gun Metal PVD    | 87 P5 G423B |
| <input type="checkbox"/> Matt British Gold PVD | 87 P6 G423B |
| <input type="checkbox"/> Matt Copper PVD       | 87 P9 G423B |
| <input type="checkbox"/> Deep Black PVD        | 87 S1 G423B |

#### Parte da incasso

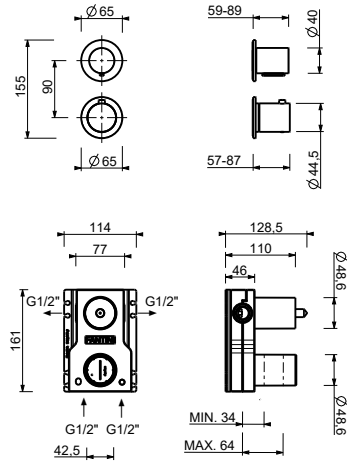
- |                          |             |
|--------------------------|-------------|
| <input type="checkbox"/> | 44 00 M523A |
|--------------------------|-------------|

#### Prezzo totale

- |  |             |
|--|-------------|
| <input type="checkbox"/> Cromo                 | 87 02 G423B |
| <input type="checkbox"/> Nero Opaco            | 87 13 G423B |
| <input type="checkbox"/> Matt Gun Metal PVD    | 87 P5 G423B |
| <input type="checkbox"/> Matt British Gold PVD | 87 P6 G423B |
| <input type="checkbox"/> Matt Copper PVD       | 87 P9 G423B |
| <input type="checkbox"/> Deep Black PVD        | 87 S1 G423B |

## ART. G423B+M523A

Miscelatore termostatico doccia incasso 1/2"



### USCITA 1

Pressione(bar)	Portata (l/min)
0.5	8.44
1	11.87
2	16.79
3	20.5
4	23.76

### USCITA 2

Pressione(bar)	Portata (l/min)
0.5	7.45
1	10.47
2	14.59
3	17.9
4	20.7