



## ART. G423B+M623A

### Monomando termostático ducha empotrado 1/2"

- manetas
- con embellecedores
- desviador giratorio 2 salidas
- entradas de 1/2"
- aislamiento acústico
- solo para montaje horizontal

Fecha \_\_\_\_\_

Proyecto/Comentarios \_\_\_\_\_  
 \_\_\_\_\_  
 \_\_\_\_\_  
 \_\_\_\_\_  
 \_\_\_\_\_  
 \_\_\_\_\_

#### Parte externa

- |  |             |
|--|-------------|
| <input type="checkbox"/> Cromo                 | 87 02 G423B |
| <input type="checkbox"/> Negro Opaco           | 87 13 G423B |
| <input type="checkbox"/> Matt Gun Metal PVD    | 87 P5 G423B |
| <input type="checkbox"/> Matt British Gold PVD | 87 P6 G423B |
| <input type="checkbox"/> Matt Copper PVD       | 87 P9 G423B |
| <input type="checkbox"/> Deep Black PVD        | 87 S1 G423B |

#### Parte empotrable

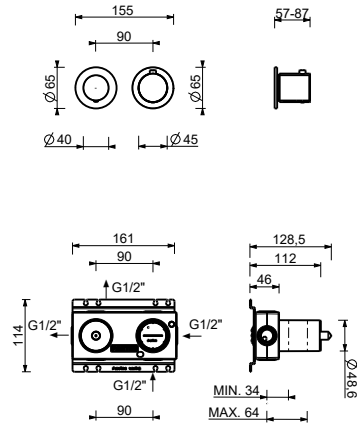
- |                          |             |
|--------------------------|-------------|
| <input type="checkbox"/> | 44 00 M623A |
|--------------------------|-------------|

#### PRECIO TOTAL

- |  |             |
|--|-------------|
| <input type="checkbox"/> Cromo                 | 87 02 G423B |
| <input type="checkbox"/> Negro Opaco           | 87 13 G423B |
| <input type="checkbox"/> Matt Gun Metal PVD    | 87 P5 G423B |
| <input type="checkbox"/> Matt British Gold PVD | 87 P6 G423B |
| <input type="checkbox"/> Matt Copper PVD       | 87 P9 G423B |
| <input type="checkbox"/> Deep Black PVD        | 87 S1 G423B |

## ART. G423B+M623A

Monomando termostático ducha empotrado 1/2"



### Salida 1

Presión(bar)	Caudal (l/min)
0.5	8.44
1	11.87
2	16.79
3	20.5
4	23.76

### Salida 2

Presión(bar)	Caudal (l/min)
0.5	7.45
1	10.47
2	14.59
3	17.9
4	20.7