



## ART. M481B+M585A

### Monomando ducha empotrado

- manetas
- con embellecedores
- desviador giratorio 2 salidas
- entradas de 1/2"
- aislamiento acústico
- solo para montaje vertical

Fecha \_\_\_\_\_

Proyecto/Comentarios \_\_\_\_\_  
 \_\_\_\_\_  
 \_\_\_\_\_  
 \_\_\_\_\_  
 \_\_\_\_\_  
 \_\_\_\_\_

#### Parte externa

- |  |             |
|--|-------------|
| <input type="checkbox"/> Cromo                 | 24 02 M481B |
| <input type="checkbox"/> Negro Opaco           | 24 13 M481B |
| <input type="checkbox"/> Matt Gun Metal PVD    | 24 P5 M481B |
| <input type="checkbox"/> Matt British Gold PVD | 24 P6 M481B |
| <input type="checkbox"/> Matt Copper PVD       | 24 P9 M481B |
| <input type="checkbox"/> Deep Black PVD        | 24 S1 M481B |

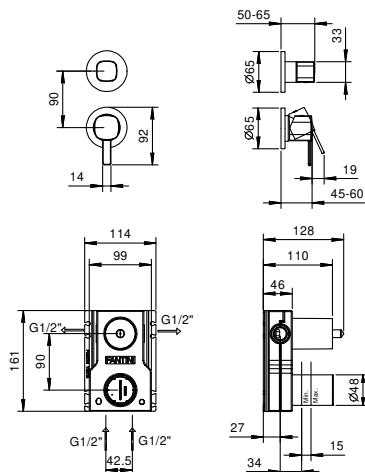
#### Parte empotrable

- |                          |             |
|--------------------------|-------------|
| <input type="checkbox"/> | 44 00 M585A |
|--------------------------|-------------|

#### PRECIO TOTAL

- |  |             |
|--|-------------|
| <input type="checkbox"/> Cromo                 | 24 02 M481B |
| <input type="checkbox"/> Negro Opaco           | 24 13 M481B |
| <input type="checkbox"/> Matt Gun Metal PVD    | 24 P5 M481B |
| <input type="checkbox"/> Matt British Gold PVD | 24 P6 M481B |
| <input type="checkbox"/> Matt Copper PVD       | 24 P9 M481B |
| <input type="checkbox"/> Deep Black PVD        | 24 S1 M481B |

**ART. M481B+M585A**  
**Monomando ducha empotrado**



**Salida 1**

Presión(bar)	Caudal (l/min)
0.5	8.44
1	11.87
2	16.79
3	20.5
4	23.76

**Salida 2**

Presión(bar)	Caudal (l/min)
0.5	7.45
1	10.47
2	14.59
3	17.9
4	20.7