



**ART. M487B+M587A**

**Monomando ducha empotrado**

- manetas
- con placa
- desviador giratorio 3 salidas
- entradas de 1/2"
- aislamiento acústico
- solo para montaje vertical

**Fecha**

**Proyecto/Comentarios**

---



---



---



---



---



---



---



---

**Parte externa**

- |  |             |
|--|-------------|
| <input type="checkbox"/> Cromo                 | 24 02 M487B |
| <input type="checkbox"/> Negro Opaco           | 24 13 M487B |
| <input type="checkbox"/> Matt Gun Metal PVD    | 24 P5 M487B |
| <input type="checkbox"/> Matt British Gold PVD | 24 P6 M487B |
| <input type="checkbox"/> Matt Copper PVD       | 24 P9 M487B |
| <input type="checkbox"/> Deep Black PVD        | 24 S1 M487B |

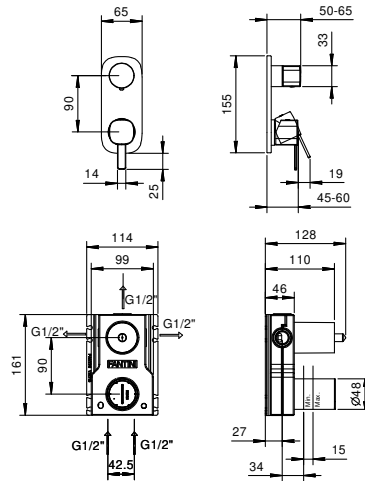
**Parte empotrable**

- |                          |             |
|--------------------------|-------------|
| <input type="checkbox"/> | 44 00 M587A |
|--------------------------|-------------|

**PRECIO TOTAL**

- |  |             |
|--|-------------|
| <input type="checkbox"/> Cromo                 | 24 02 M487B |
| <input type="checkbox"/> Negro Opaco           | 24 13 M487B |
| <input type="checkbox"/> Matt Gun Metal PVD    | 24 P5 M487B |
| <input type="checkbox"/> Matt British Gold PVD | 24 P6 M487B |
| <input type="checkbox"/> Matt Copper PVD       | 24 P9 M487B |
| <input type="checkbox"/> Deep Black PVD        | 24 S1 M487B |

**ART. M487B+M587A**  
**Monomando ducha empotrado**



**Salida 1**

Presiòn(bar)	Caudal (l/min)
0.5	9.25
1	12.87
2	18.34
3	22.32
4	25.59

**Salida 2**

Presiòn(bar)	Caudal (l/min)
0.5	7.81
1	10.87
2	15.31
3	18.62
4	21.55

**Salida 3**

Presiòn(bar)	Caudal (l/min)
0.5	8.14
1	11.34
2	15.99
3	19.42
4	22.43