



## ART. M487B+M587A

### Built-in shower mixer

- handles
- with plate
- 3-way diverter with turning knob
- 1/2" inlets
- soundproof
- for vertical installation only

Date \_\_\_\_\_

Project/Comments: \_\_\_\_\_

\_\_\_\_\_

\_\_\_\_\_

\_\_\_\_\_

\_\_\_\_\_

\_\_\_\_\_

\_\_\_\_\_

### External piece

- |  |             |
|--|-------------|
| <input type="checkbox"/> Chrome                | 24 02 M487B |
| <input type="checkbox"/> Matt Black            | 24 13 M487B |
| <input type="checkbox"/> Matt Gun Metal PVD    | 24 P5 M487B |
| <input type="checkbox"/> Matt British Gold PVD | 24 P6 M487B |
| <input type="checkbox"/> Matt Copper PVD       | 24 P9 M487B |
| <input type="checkbox"/> Deep Black PVD        | 24 S1 M487B |

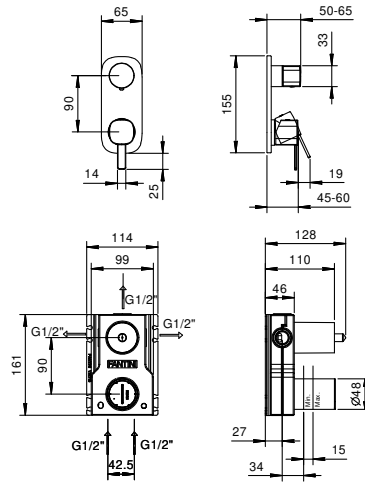
### Built-in piece

- |                          |             |
|--------------------------|-------------|
| <input type="checkbox"/> | 44 00 M587A |
|--------------------------|-------------|

### TOTAL PRICE

- |  |             |
|--|-------------|
| <input type="checkbox"/> Chrome                | 24 02 M487B |
| <input type="checkbox"/> Matt Black            | 24 13 M487B |
| <input type="checkbox"/> Matt Gun Metal PVD    | 24 P5 M487B |
| <input type="checkbox"/> Matt British Gold PVD | 24 P6 M487B |
| <input type="checkbox"/> Matt Copper PVD       | 24 P9 M487B |
| <input type="checkbox"/> Deep Black PVD        | 24 S1 M487B |

**ART. M487B+M587A**  
 Built-in shower mixer



**Way number 1**

Pressure(bar)	Flow rate (l/min)
0.5	9.25
1	12.87
2	18.34
3	22.32
4	25.59

**Way number 2**

Pressure(bar)	Flow rate (l/min)
0.5	7.81
1	10.87
2	15.31
3	18.62
4	21.55

**Way number 3**

Pressure(bar)	Flow rate (l/min)
0.5	8.14
1	11.34
2	15.99
3	19.42
4	22.43