

## ART. M489B+M687A

### Built-in shower mixer

- handles
- with rosaces
- 3-way diverter with turning knob
- 1/2" inlets
- for horizontal installation only
- soundproof

Date \_\_\_\_\_

Project/Comments: \_\_\_\_\_

\_\_\_\_\_

\_\_\_\_\_

\_\_\_\_\_

\_\_\_\_\_

\_\_\_\_\_

\_\_\_\_\_

### External piece

- |  |             |
|--|-------------|
| <input type="checkbox"/> Chrome                | 24 02 M489B |
| <input type="checkbox"/> Matt Black            | 24 13 M489B |
| <input type="checkbox"/> Matt Gun Metal PVD    | 24 P5 M489B |
| <input type="checkbox"/> Matt British Gold PVD | 24 P6 M489B |
| <input type="checkbox"/> Matt Copper PVD       | 24 P9 M489B |
| <input type="checkbox"/> Deep Black PVD        | 24 S1 M489B |

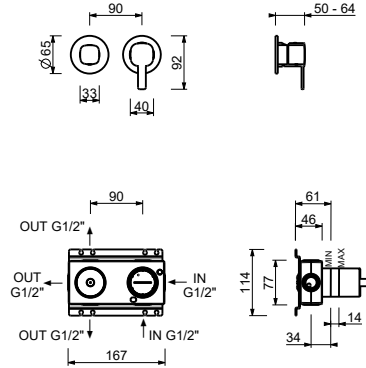
### Built-in piece

- |                          |             |
|--------------------------|-------------|
| <input type="checkbox"/> | 44 00 M687A |
|--------------------------|-------------|

### TOTAL PRICE

- |  |             |
|--|-------------|
| <input type="checkbox"/> Chrome                | 24 02 M489B |
| <input type="checkbox"/> Matt Black            | 24 13 M489B |
| <input type="checkbox"/> Matt Gun Metal PVD    | 24 P5 M489B |
| <input type="checkbox"/> Matt British Gold PVD | 24 P6 M489B |
| <input type="checkbox"/> Matt Copper PVD       | 24 P9 M489B |
| <input type="checkbox"/> Deep Black PVD        | 24 S1 M489B |

**ART. M489B+M687A**  
**Built-in shower mixer**



**Way number 1**

Pressure(bar)	Flow rate (l/min)
0.5	8.36
1	11.39
2	15.95
3	19.53
4	22.52

**Way number 2**

Pressure(bar)	Flow rate (l/min)
0.5	7.53
1	10.86
2	15.27
3	18.63
4	21.49

**Way number 3**

Pressure(bar)	Flow rate (l/min)
0.5	7.36
1	10.17
2	14.28
3	17.38
4	20.08