



## ART. F863B+M063A

### Miscelatore doccia incasso

- maniglia
- 1 uscita da 1/2"
- ingressi da 1/2"
- isolamento acustico

### Data

---

### Progetto/Note

---



---



---



---



---



---



---

#### Parte esterna

- |  |             |
|--|-------------|
| <input type="checkbox"/> Cromo                 | 34 02 F863B |
| <input type="checkbox"/> Nero Opaco            | 34 13 F863B |
| <input type="checkbox"/> Matt Gun Metal PVD    | 34 P5 F863B |
| <input type="checkbox"/> Matt British Gold PVD | 34 P6 F863B |
| <input type="checkbox"/> Matt Copper PVD       | 34 P9 F863B |
| <input type="checkbox"/> Deep Black PVD        | 34 S1 F863B |

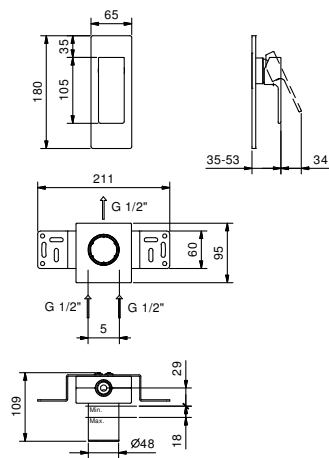
#### Parte da incasso

- |                          |             |
|--------------------------|-------------|
| <input type="checkbox"/> | 44 00 M063A |
|--------------------------|-------------|

#### Prezzo totale

- |  |             |
|--|-------------|
| <input type="checkbox"/> Cromo                 | 34 02 F863B |
| <input type="checkbox"/> Nero Opaco            | 34 13 F863B |
| <input type="checkbox"/> Matt Gun Metal PVD    | 34 P5 F863B |
| <input type="checkbox"/> Matt British Gold PVD | 34 P6 F863B |
| <input type="checkbox"/> Matt Copper PVD       | 34 P9 F863B |
| <input type="checkbox"/> Deep Black PVD        | 34 S1 F863B |

**ART. F863B+M063A**  
**Miscelatore doccia incasso**



**USCITA 1**

Pressione(bar)	Portata (l/min)
0.5	8.31
1	13.58
2	18.83
3	23.86
4	27.6