



## ART. F863B+M063A

### Built-in shower mixer

- handle
- no. 1 1/2" outlet
- 1/2" inlets
- soundproof

Date \_\_\_\_\_

Project/Comments: \_\_\_\_\_

\_\_\_\_\_

\_\_\_\_\_

\_\_\_\_\_

\_\_\_\_\_

\_\_\_\_\_

\_\_\_\_\_

#### External piece

- |  |             |
|--|-------------|
| <input type="checkbox"/> Chrome                | 34 02 F863B |
| <input type="checkbox"/> Matt Black            | 34 13 F863B |
| <input type="checkbox"/> Matt Gun Metal PVD    | 34 P5 F863B |
| <input type="checkbox"/> Matt British Gold PVD | 34 P6 F863B |
| <input type="checkbox"/> Matt Copper PVD       | 34 P9 F863B |
| <input type="checkbox"/> Deep Black PVD        | 34 S1 F863B |

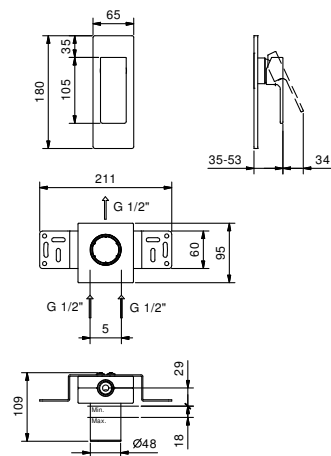
#### Built-in piece

- |                          |             |
|--------------------------|-------------|
| <input type="checkbox"/> | 44 00 M063A |
|--------------------------|-------------|

#### TOTAL PRICE

- |  |             |
|--|-------------|
| <input type="checkbox"/> Chrome                | 34 02 F863B |
| <input type="checkbox"/> Matt Black            | 34 13 F863B |
| <input type="checkbox"/> Matt Gun Metal PVD    | 34 P5 F863B |
| <input type="checkbox"/> Matt British Gold PVD | 34 P6 F863B |
| <input type="checkbox"/> Matt Copper PVD       | 34 P9 F863B |
| <input type="checkbox"/> Deep Black PVD        | 34 S1 F863B |

**ART. F863B+M063A**  
**Built-in shower mixer**



**Way number 1**

Pressure(bar)	Flow rate (l/min)
0.5	8.31
1	13.58
2	18.83
3	23.86
4	27.6