



ART. F863B+M063A

Monomando ducha empotrado

- maneta
- 1 salida de 1/2"
- entradas de 1/2"
- aislamiento acústico

Fecha

Proyecto/Comentarios

Parte externa

- | | |
|--|-------------|
| <input type="checkbox"/> Cromo | 34 02 F863B |
| <input type="checkbox"/> Negro Opaco | 34 13 F863B |
| <input type="checkbox"/> Matt Gun Metal PVD | 34 P5 F863B |
| <input type="checkbox"/> Matt British Gold PVD | 34 P6 F863B |
| <input type="checkbox"/> Matt Copper PVD | 34 P9 F863B |
| <input type="checkbox"/> Deep Black PVD | 34 S1 F863B |

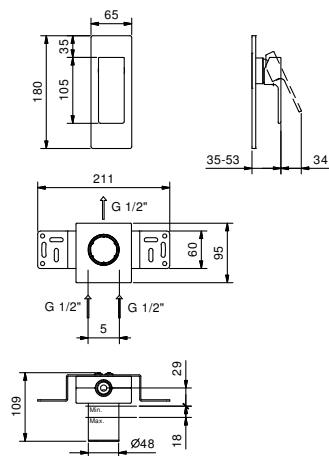
Parte empotrable

- | | |
|--------------------------|-------------|
| <input type="checkbox"/> | 44 00 M063A |
|--------------------------|-------------|

PRECIO TOTAL

- | | |
|--|-------------|
| <input type="checkbox"/> Cromo | 34 02 F863B |
| <input type="checkbox"/> Negro Opaco | 34 13 F863B |
| <input type="checkbox"/> Matt Gun Metal PVD | 34 P5 F863B |
| <input type="checkbox"/> Matt British Gold PVD | 34 P6 F863B |
| <input type="checkbox"/> Matt Copper PVD | 34 P9 F863B |
| <input type="checkbox"/> Deep Black PVD | 34 S1 F863B |

ART. F863B+M063A
Monomando ducha empotrado



Salida 1

Presión(bar)	Caudal (l/min)
0.5	8.31
1	13.58
2	18.83
3	23.86
4	27.6