



ART. F863B+M063A

UP-Brausemischer

- Griff
- 1/2" 1 Ausgang
- 1/2" Eingänge
- Schallschutz

Datum

Project/Kommentar

AP-Teil

- | | |
|--|-------------|
| <input type="checkbox"/> Chrom | 34 02 F863B |
| <input type="checkbox"/> Schwarz matt | 34 13 F863B |
| <input type="checkbox"/> Matt Gun Metal PVD | 34 P5 F863B |
| <input type="checkbox"/> Matt British Gold PVD | 34 P6 F863B |
| <input type="checkbox"/> Matt Copper PVD | 34 P9 F863B |
| <input type="checkbox"/> Deep Black PVD | 34 S1 F863B |

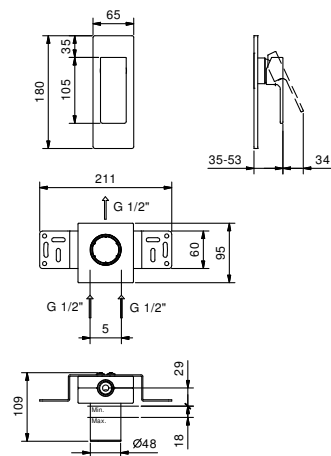
GESAMTPREIS

- | | |
|--|-------------|
| <input type="checkbox"/> Chrom | 34 02 F863B |
| <input type="checkbox"/> Schwarz matt | 34 13 F863B |
| <input type="checkbox"/> Matt Gun Metal PVD | 34 P5 F863B |
| <input type="checkbox"/> Matt British Gold PVD | 34 P6 F863B |
| <input type="checkbox"/> Matt Copper PVD | 34 P9 F863B |
| <input type="checkbox"/> Deep Black PVD | 34 S1 F863B |

UP-Teil

- | | |
|--------------------------|-------------|
| <input type="checkbox"/> | 44 00 M063A |
|--------------------------|-------------|

ART. F863B+M063A
UP-Brausemischer



Abgang Nummer 1

Wasserdruck(bar)	Durchfluss (l/min)
0.5	8.31
1	13.58
2	18.83
3	23.86
4	27.6