

## ART. F036B+3336A

### Miscelatore lavabo da pavimento

- interasse bocca 19 cm
- maniglia
- limitatore di portata 5 l/min a 3 bar
- ingressi da 1/2"
- SENZA SCARICO

### Data

---

### Progetto/Note

---



---



---



---



---



---



---

#### Parte esterna

- |  |             |
|--|-------------|
| <input type="checkbox"/> Cromo                 | 34 02 F036B |
| <input type="checkbox"/> Nero Opaco            | 34 13 F036B |
| <input type="checkbox"/> Matt Gun Metal PVD    | 34 P5 F036B |
| <input type="checkbox"/> Matt British Gold PVD | 34 P6 F036B |
| <input type="checkbox"/> Matt Copper PVD       | 34 P9 F036B |
| <input type="checkbox"/> Deep Black PVD        | 34 S1 F036B |

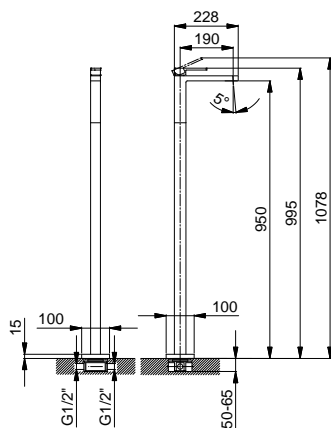
#### Parte da incasso

- |                          |             |
|--------------------------|-------------|
| <input type="checkbox"/> | 19 00 3336A |
|--------------------------|-------------|

#### Prezzo totale

- |  |             |
|--|-------------|
| <input type="checkbox"/> Cromo                 | 34 02 F036B |
| <input type="checkbox"/> Nero Opaco            | 34 13 F036B |
| <input type="checkbox"/> Matt Gun Metal PVD    | 34 P5 F036B |
| <input type="checkbox"/> Matt British Gold PVD | 34 P6 F036B |
| <input type="checkbox"/> Matt Copper PVD       | 34 P9 F036B |
| <input type="checkbox"/> Deep Black PVD        | 34 S1 F036B |

**ART. F036B+3336A**  
**Miscelatore lavabo da pavimento**



• **aeratore integrato**

Pressione(bar)	Portata (l/min)
0.5	2.34
1	3.81
2	5.09
3	5.1
4	5.38