

ART. F036B+3336A

Floor-mount washbasin mixer

- spout projection 19 cm
- handle
- flow restrictor 5 l/min at 3 bar
- 1/2" inlets
- WITHOUT WASTE

Date _____

Project/Comments: _____

External piece

- | | |
|--|-------------|
| <input type="checkbox"/> Chrome | 34 02 F036B |
| <input type="checkbox"/> Matt Black | 34 13 F036B |
| <input type="checkbox"/> Matt Gun Metal PVD | 34 P5 F036B |
| <input type="checkbox"/> Matt British Gold PVD | 34 P6 F036B |
| <input type="checkbox"/> Matt Copper PVD | 34 P9 F036B |
| <input type="checkbox"/> Deep Black PVD | 34 S1 F036B |

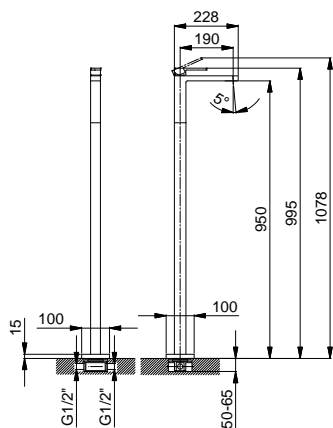
Built-in piece

- | | |
|--------------------------|-------------|
| <input type="checkbox"/> | 19 00 3336A |
|--------------------------|-------------|

TOTAL PRICE

- | | |
|--|-------------|
| <input type="checkbox"/> Chrome | 34 02 F036B |
| <input type="checkbox"/> Matt Black | 34 13 F036B |
| <input type="checkbox"/> Matt Gun Metal PVD | 34 P5 F036B |
| <input type="checkbox"/> Matt British Gold PVD | 34 P6 F036B |
| <input type="checkbox"/> Matt Copper PVD | 34 P9 F036B |
| <input type="checkbox"/> Deep Black PVD | 34 S1 F036B |

ART. F036B+3336A
 Floor-mount washbasin mixer



• **Integrated aerator**

Pressure(bar)	Flow rate (l/min)
0.5	2.34
1	3.81
2	5.09
3	5.1
4	5.38