

ART. F036B+3336A

Monomando lavabo a suelo

- distancia a chorro 19 cm
- maneta
- limitador de caudal 5 l/m a 3 bar
- entradas de 1/2"
- SIN DESAGÜE

Fecha

Proyecto/Comentarios

Parte externa

- | | |
|--|-------------|
| <input type="checkbox"/> Cromo | 34 02 F036B |
| <input type="checkbox"/> Negro Opaco | 34 13 F036B |
| <input type="checkbox"/> Matt Gun Metal PVD | 34 P5 F036B |
| <input type="checkbox"/> Matt British Gold PVD | 34 P6 F036B |
| <input type="checkbox"/> Matt Copper PVD | 34 P9 F036B |
| <input type="checkbox"/> Deep Black PVD | 34 S1 F036B |

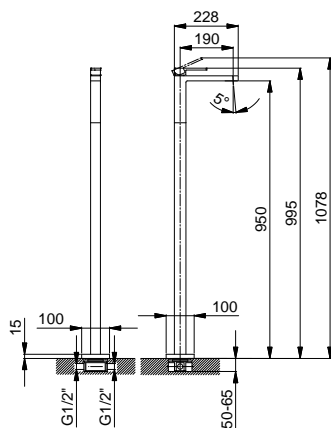
PRECIO TOTAL

- | | |
|--|-------------|
| <input type="checkbox"/> Cromo | 34 02 F036B |
| <input type="checkbox"/> Negro Opaco | 34 13 F036B |
| <input type="checkbox"/> Matt Gun Metal PVD | 34 P5 F036B |
| <input type="checkbox"/> Matt British Gold PVD | 34 P6 F036B |
| <input type="checkbox"/> Matt Copper PVD | 34 P9 F036B |
| <input type="checkbox"/> Deep Black PVD | 34 S1 F036B |

Parte empotrable

- | | |
|--------------------------|-------------|
| <input type="checkbox"/> | 19 00 3336A |
|--------------------------|-------------|

ART. F036B+3336A
Monomando lavabo a suelo



• **Integrated aerator**

Presión(bar)	Caudal (l/min)
0.5	2.34
1	3.81
2	5.09
3	5.1
4	5.38