



## ART. F472B+D372A

### Monomando termostático ducha empotrado 3/4"

- manetas
- desviador giratorio con cierre 2 salidas
- solo para montaje horizontal
- entradas de 3/4"

### Fecha

---

### Proyecto/Comentarios

---



---



---



---



---



---



---

#### Parte externa

|                          |                       |             |
|--------------------------|-----------------------|-------------|
| <input type="checkbox"/> | Cromo                 | 34 02 F472B |
| <input type="checkbox"/> | Negro Opaco           | 34 13 F472B |
| <input type="checkbox"/> | Matt Gun Metal PVD    | 34 P5 F472B |
| <input type="checkbox"/> | Matt British Gold PVD | 34 P6 F472B |
| <input type="checkbox"/> | Matt Copper PVD       | 34 P9 F472B |
| <input type="checkbox"/> | Deep Black PVD        | 34 S1 F472B |

#### Parte empotrable

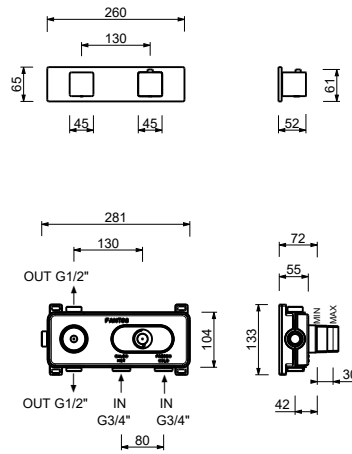
|                          |  |             |
|--------------------------|--|-------------|
| <input type="checkbox"/> |  | 19 00 D372A |
|--------------------------|--|-------------|

#### PRECIO TOTAL

|                          |                       |             |
|--------------------------|-----------------------|-------------|
| <input type="checkbox"/> | Cromo                 | 34 02 F472B |
| <input type="checkbox"/> | Negro Opaco           | 34 13 F472B |
| <input type="checkbox"/> | Matt Gun Metal PVD    | 34 P5 F472B |
| <input type="checkbox"/> | Matt British Gold PVD | 34 P6 F472B |
| <input type="checkbox"/> | Matt Copper PVD       | 34 P9 F472B |
| <input type="checkbox"/> | Deep Black PVD        | 34 S1 F472B |

## ART. F472B+D372A

Monomando termostático ducha empotrado 3/4"



### Salida 1

| Presión(bar) | Caudal (l/min) |
|--------------|----------------|
| 0.5          | 8.86           |
| 1            | 12.53          |
| 2            | 17.57          |
| 3            | 21.63          |
| 4            | 25.02          |

### Salida 2

| Presión(bar) | Caudal (l/min) |
|--------------|----------------|
| 0.5          | 7.91           |
| 1            | 11.03          |
| 2            | 15.47          |
| 3            | 19.01          |
| 4            | 21.98          |