



## ART. V681B+M585A

### Miscelatore doccia incasso

- maniglie
- deviatore a rotazione a 2 uscite
- ingressi da 1/2"
- isolamento acustico
- solo per montaggio verticale

### Data

---

### Progetto/Note

---



---



---



---



---



---



---

#### Parte esterna

- |  |             |
|--|-------------|
| <input type="checkbox"/> Cromo                 | 61 02 V681B |
| <input type="checkbox"/> Nero Opaco            | 61 13 V681B |
| <input type="checkbox"/> Matt Gun Metal PVD    | 61 P5 V681B |
| <input type="checkbox"/> Matt British Gold PVD | 61 P6 V681B |
| <input type="checkbox"/> Deep Black PVD        | 61 S1 V681B |

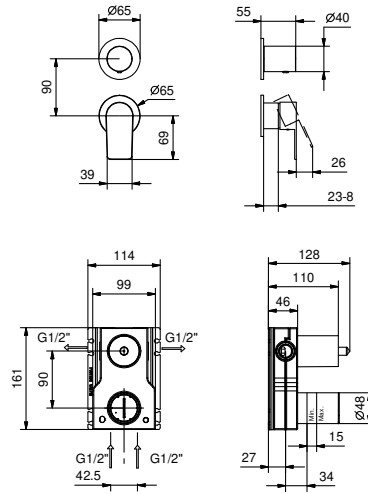
#### Parte da incasso

- |                          |             |
|--------------------------|-------------|
| <input type="checkbox"/> | 44 00 M585A |
|--------------------------|-------------|

#### Prezzo totale

- |  |             |
|--|-------------|
| <input type="checkbox"/> Cromo                 | 61 02 V681B |
| <input type="checkbox"/> Nero Opaco            | 61 13 V681B |
| <input type="checkbox"/> Matt Gun Metal PVD    | 61 P5 V681B |
| <input type="checkbox"/> Matt British Gold PVD | 61 P6 V681B |
| <input type="checkbox"/> Deep Black PVD        | 61 S1 V681B |

**ART. V681B+M585A**  
**Miscelatore doccia incasso**



**USCITA 1**

Pressione(bar)	Portata (l/min)
0.5	8.44
1	11.87
2	16.79
3	20.5
4	23.76

**USCITA 2**

Pressione(bar)	Portata (l/min)
0.5	7.45
1	10.47
2	14.59
3	17.9
4	20.7