



**ART. V681B+M585A**

**Monomando ducha empotrado**

- manetas
- desviador giratorio 2 salidas
- entradas de 1/2"
- aislamiento acústico
- solo para montaje vertical

**Fecha**

**Proyecto/Comentarios**

---



---



---



---



---



---



---

**Parte externa**

- |  |             |
|--|-------------|
| <input type="checkbox"/> Cromo                 | 61 02 V681B |
| <input type="checkbox"/> Negro Opaco           | 61 13 V681B |
| <input type="checkbox"/> Matt Gun Metal PVD    | 61 P5 V681B |
| <input type="checkbox"/> Matt British Gold PVD | 61 P6 V681B |
| <input type="checkbox"/> Deep Black PVD        | 61 S1 V681B |

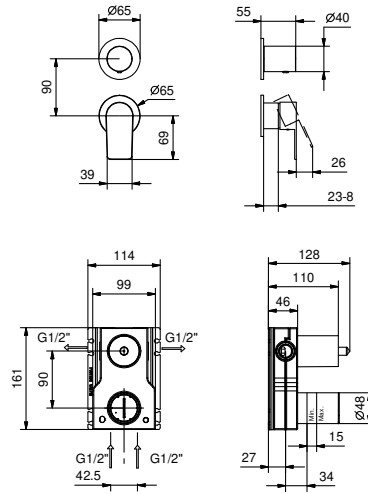
**Parte empotrable**

- |                          |             |
|--------------------------|-------------|
| <input type="checkbox"/> | 44 00 M585A |
|--------------------------|-------------|

**PRECIO TOTAL**

- |  |             |
|--|-------------|
| <input type="checkbox"/> Cromo                 | 61 02 V681B |
| <input type="checkbox"/> Negro Opaco           | 61 13 V681B |
| <input type="checkbox"/> Matt Gun Metal PVD    | 61 P5 V681B |
| <input type="checkbox"/> Matt British Gold PVD | 61 P6 V681B |
| <input type="checkbox"/> Deep Black PVD        | 61 S1 V681B |

**ART. V681B+M585A**  
**Monomando ducha empotrado**



**Salida 1**

Presión(bar)	Caudal (l/min)
0.5	8.44
1	11.87
2	16.79
3	20.5
4	23.76

**Salida 2**

Presión(bar)	Caudal (l/min)
0.5	7.45
1	10.47
2	14.59
3	17.9
4	20.7