



ART. V681B+M585A

Built-in shower mixer

- handles
- 2-way diverter with turning knob
- 1/2" inlets
- soundproof
- for vertical installation only

Date

Project/Comments:

External piece

- | | |
|--|-------------|
| <input type="checkbox"/> Chrome | 61 02 V681B |
| <input type="checkbox"/> Matt Black | 61 13 V681B |
| <input type="checkbox"/> Matt Gun Metal PVD | 61 P5 V681B |
| <input type="checkbox"/> Matt British Gold PVD | 61 P6 V681B |
| <input type="checkbox"/> Deep Black PVD | 61 S1 V681B |

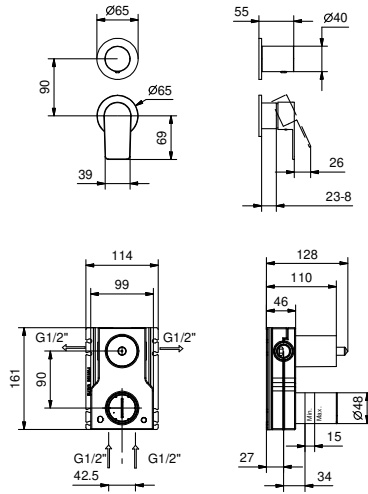
Built-in piece

- | | |
|--------------------------|-------------|
| <input type="checkbox"/> | 44 00 M585A |
|--------------------------|-------------|

TOTAL PRICE

- | | |
|--|-------------|
| <input type="checkbox"/> Chrome | 61 02 V681B |
| <input type="checkbox"/> Matt Black | 61 13 V681B |
| <input type="checkbox"/> Matt Gun Metal PVD | 61 P5 V681B |
| <input type="checkbox"/> Matt British Gold PVD | 61 P6 V681B |
| <input type="checkbox"/> Deep Black PVD | 61 S1 V681B |

ART. V681B+M585A
Built-in shower mixer



Way number 1

Pressure(bar)	Flow rate (l/min)
0.5	8.44
1	11.87
2	16.79
3	20.5
4	23.76

Way number 2

Pressure(bar)	Flow rate (l/min)
0.5	7.45
1	10.47
2	14.59
3	17.9
4	20.7