



ART. V689B+M587A

Monomando ducha empotrado

- manetas
- desviador giratorio 3 salidas
- entradas de 1/2"
- solo para montaje vertical
- aislamiento acústico

Fecha

Proyecto/Comentarios

Parte externa

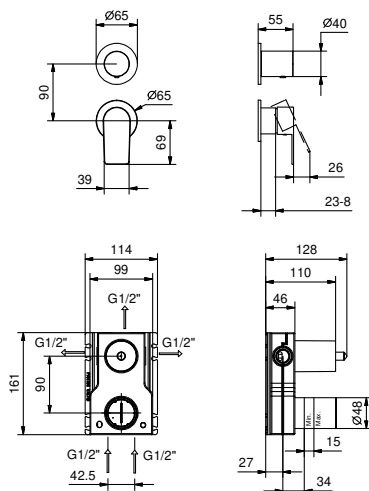
- | | |
|--|-------------|
| <input type="checkbox"/> Cromo | 61 02 V689B |
| <input type="checkbox"/> Negro Opaco | 61 13 V689B |
| <input type="checkbox"/> Matt Gun Metal PVD | 61 P5 V689B |
| <input type="checkbox"/> Matt British Gold PVD | 61 P6 V689B |
| <input type="checkbox"/> Deep Black PVD | 61 S1 V689B |

PRECIO TOTAL

- | | |
|--|-------------|
| <input type="checkbox"/> Cromo | 61 02 V689B |
| <input type="checkbox"/> Negro Opaco | 61 13 V689B |
| <input type="checkbox"/> Matt Gun Metal PVD | 61 P5 V689B |
| <input type="checkbox"/> Matt British Gold PVD | 61 P6 V689B |
| <input type="checkbox"/> Deep Black PVD | 61 S1 V689B |

Parte empotrable

- | | |
|--------------------------|-------------|
| <input type="checkbox"/> | 44 00 M587A |
|--------------------------|-------------|

ART. V689B+M587A
Monomando ducha empotrado

Salida 1

Presiòn(bar)	Caudal (l/min)
0.5	9.25
1	12.87
2	18.34
3	22.32
4	25.59

Salida 2

Presiòn(bar)	Caudal (l/min)
0.5	7.81
1	10.87
2	15.31
3	18.62
4	21.55

Salida 3

Presiòn(bar)	Caudal (l/min)
0.5	8.14
1	11.34
2	15.99
3	19.42
4	22.43