



ART. V689B+M587A

Built-in shower mixer

- handles
- 3-way diverter with turning knob
- 1/2" inlets
- for vertical installation only
- soundproof

Date

Project/Comments:

External piece

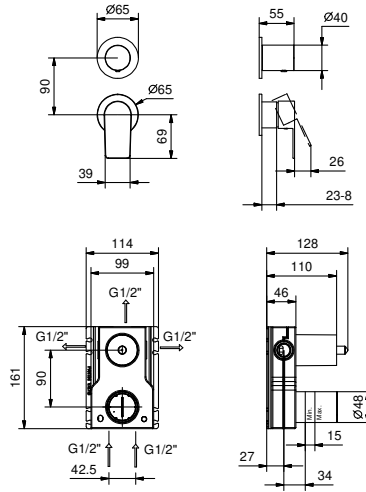
- | | |
|--|-------------|
| <input type="checkbox"/> Chrome | 61 02 V689B |
| <input type="checkbox"/> Matt Black | 61 13 V689B |
| <input type="checkbox"/> Matt Gun Metal PVD | 61 P5 V689B |
| <input type="checkbox"/> Matt British Gold PVD | 61 P6 V689B |
| <input type="checkbox"/> Deep Black PVD | 61 S1 V689B |

Built-in piece

- | | |
|--------------------------|-------------|
| <input type="checkbox"/> | 44 00 M587A |
|--------------------------|-------------|

TOTAL PRICE

- | | |
|--|-------------|
| <input type="checkbox"/> Chrome | 61 02 V689B |
| <input type="checkbox"/> Matt Black | 61 13 V689B |
| <input type="checkbox"/> Matt Gun Metal PVD | 61 P5 V689B |
| <input type="checkbox"/> Matt British Gold PVD | 61 P6 V689B |
| <input type="checkbox"/> Deep Black PVD | 61 S1 V689B |

ART. V689B+M587A
 Built-in shower mixer

Way number 1

Pressure(bar)	Flow rate (l/min)
0.5	9.25
1	12.87
2	18.34
3	22.32
4	25.59

Way number 2

Pressure(bar)	Flow rate (l/min)
0.5	7.81
1	10.87
2	15.31
3	18.62
4	21.55

Way number 3

Pressure(bar)	Flow rate (l/min)
0.5	8.14
1	11.34
2	15.99
3	19.42
4	22.43