



## ART. V922B+M822A

### Monomando ducha empotrado

- maneta
- desviador automático 2 salidas
- entradas de 1/2"

Fecha \_\_\_\_\_

Proyecto/Comentarios \_\_\_\_\_

\_\_\_\_\_

\_\_\_\_\_

\_\_\_\_\_

\_\_\_\_\_

\_\_\_\_\_

\_\_\_\_\_

#### Parte externa

- |  |             |
|--|-------------|
| <input type="checkbox"/> Cromo                 | 61 02 V922B |
| <input type="checkbox"/> Negro Opaco           | 61 13 V922B |
| <input type="checkbox"/> Matt Gun Metal PVD    | 61 P5 V922B |
| <input type="checkbox"/> Matt British Gold PVD | 61 P6 V922B |
| <input type="checkbox"/> Deep Black PVD        | 61 S1 V922B |

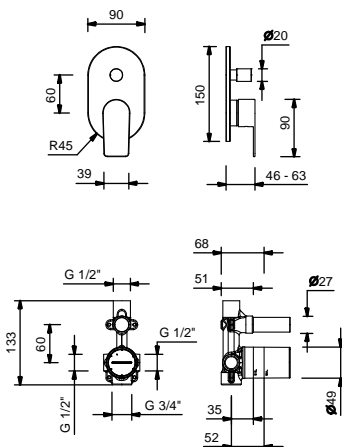
#### Parte empotrable

- |                          |             |
|--------------------------|-------------|
| <input type="checkbox"/> | 44 00 M822A |
|--------------------------|-------------|

#### PRECIO TOTAL

- |  |             |
|--|-------------|
| <input type="checkbox"/> Cromo                 | 61 02 V922B |
| <input type="checkbox"/> Negro Opaco           | 61 13 V922B |
| <input type="checkbox"/> Matt Gun Metal PVD    | 61 P5 V922B |
| <input type="checkbox"/> Matt British Gold PVD | 61 P6 V922B |
| <input type="checkbox"/> Deep Black PVD        | 61 S1 V922B |

**ART. V922B+M822A**  
**Monomando ducha empotrado**



**Salida 1**

Presión(bar)	Caudal (l/min)
0.5	9.76
1	14.84
2	20.9
3	25.32
4	29.21

**Salida 2**

Presión(bar)	Caudal (l/min)
0.5	7.49
1	11.3
2	15.73
3	19.09
4	22