



ART. G572B+D372A

3/4" built-in thermostatic shower mixer

- handles
- 2-way shut-off diverter with turning knob
- for horizontal installation only
- 3/4" inlets

Date

Project/Comments:

External piece

- | | |
|--|-------------|
| <input type="checkbox"/> Chrome | 87 02 G572B |
| <input type="checkbox"/> Matt Black | 87 13 G572B |
| <input type="checkbox"/> Matt Gun Metal PVD | 87 P5 G572B |
| <input type="checkbox"/> Matt British Gold PVD | 87 P6 G572B |
| <input type="checkbox"/> Deep Black PVD | 87 S1 G572B |

Built-in piece

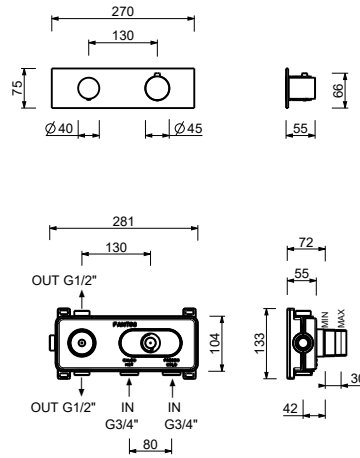
- | | |
|--------------------------|-------------|
| <input type="checkbox"/> | 19 00 D372A |
|--------------------------|-------------|

TOTAL PRICE

- | | |
|--|-------------|
| <input type="checkbox"/> Chrome | 87 02 G572B |
| <input type="checkbox"/> Matt Black | 87 13 G572B |
| <input type="checkbox"/> Matt Gun Metal PVD | 87 P5 G572B |
| <input type="checkbox"/> Matt British Gold PVD | 87 P6 G572B |
| <input type="checkbox"/> Deep Black PVD | 87 S1 G572B |

ART. G572B+D372A

3/4" built-in thermostatic shower mixer



Way number 1

Pressure(bar)	Flow rate (l/min)
0.5	8.86
1	12.53
2	17.57
3	21.63
4	25.02

Way number 2

Pressure(bar)	Flow rate (l/min)
0.5	7.91
1	11.03
2	15.47
3	19.01
4	21.98