



ART. V922B+M822A

Built-in shower mixer

- handle
- 2-way automatic diverter
- 1/2" inlets

Date _____

Project/Comments: _____

External piece

- | | |
|--|-------------|
| <input type="checkbox"/> Chrome | 61 02 V922B |
| <input type="checkbox"/> Matt Black | 61 13 V922B |
| <input type="checkbox"/> Matt Gun Metal PVD | 61 P5 V922B |
| <input type="checkbox"/> Matt British Gold PVD | 61 P6 V922B |
| <input type="checkbox"/> Deep Black PVD | 61 S1 V922B |

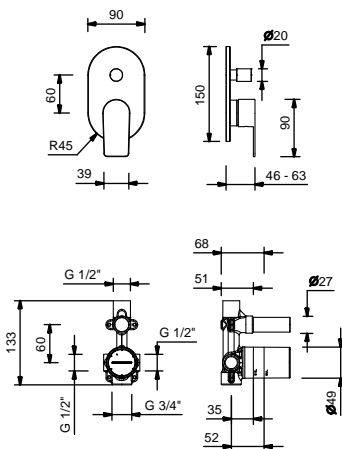
Built-in piece

- | | |
|--------------------------|-------------|
| <input type="checkbox"/> | 44 00 M822A |
|--------------------------|-------------|

TOTAL PRICE

- | | |
|--|-------------|
| <input type="checkbox"/> Chrome | 61 02 V922B |
| <input type="checkbox"/> Matt Black | 61 13 V922B |
| <input type="checkbox"/> Matt Gun Metal PVD | 61 P5 V922B |
| <input type="checkbox"/> Matt British Gold PVD | 61 P6 V922B |
| <input type="checkbox"/> Deep Black PVD | 61 S1 V922B |

ART. V922B+M822A
Built-in shower mixer



Way number 1

Pressure(bar)	Flow rate (l/min)
0.5	9.76
1	14.84
2	20.9
3	25.32
4	29.21

Way number 2

Pressure(bar)	Flow rate (l/min)
0.5	7.49
1	11.3
2	15.73
3	19.09
4	22