



**ART. G423B+M523A**

**Monomando termostático ducha empotrado 1/2"**

- manetas
- con embellecedores
- desviador giratorio 2 salidas
- entradas de 1/2"
- aislamiento acústico
- solo para montaje vertical

**Fecha**

**Proyecto/Comentarios**

---



---



---



---



---



---



---



---

**Parte externa**

- |  |             |
|--|-------------|
| <input type="checkbox"/> Cromo                 | 87 02 G423B |
| <input type="checkbox"/> Negro Opaco           | 87 13 G423B |
| <input type="checkbox"/> Matt Gun Metal PVD    | 87 P5 G423B |
| <input type="checkbox"/> Matt British Gold PVD | 87 P6 G423B |
| <input type="checkbox"/> Deep Black PVD        | 87 S1 G423B |

**PRECIO TOTAL**

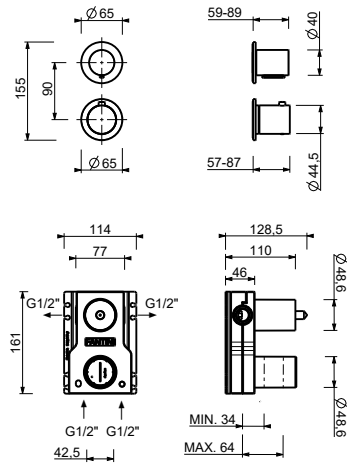
- |  |             |
|--|-------------|
| <input type="checkbox"/> Cromo                 | 87 02 G423B |
| <input type="checkbox"/> Negro Opaco           | 87 13 G423B |
| <input type="checkbox"/> Matt Gun Metal PVD    | 87 P5 G423B |
| <input type="checkbox"/> Matt British Gold PVD | 87 P6 G423B |
| <input type="checkbox"/> Deep Black PVD        | 87 S1 G423B |

**Parte empotrable**

- |                          |             |
|--------------------------|-------------|
| <input type="checkbox"/> | 44 00 M523A |
|--------------------------|-------------|

## ART. G423B+M523A

Monomando termostático ducha empotrado 1/2"



### Salida 1

Presión(bar)	Caudal (l/min)
0.5	8.44
1	11.87
2	16.79
3	20.5
4	23.76

### Salida 2

Presión(bar)	Caudal (l/min)
0.5	7.45
1	10.47
2	14.59
3	17.9
4	20.7