



ART. G423B+M523A

1/2" built-in thermostatic shower mixer

- handles
- with rosaces
- 2-way diverter with turning knob
- 1/2" inlets
- soundproof
- for vertical installation only

Date

Project/Comments:

External piece

- | | |
|--|-------------|
| <input type="checkbox"/> Chrome | 87 02 G423B |
| <input type="checkbox"/> Matt Black | 87 13 G423B |
| <input type="checkbox"/> Matt Gun Metal PVD | 87 P5 G423B |
| <input type="checkbox"/> Matt British Gold PVD | 87 P6 G423B |
| <input type="checkbox"/> Deep Black PVD | 87 S1 G423B |

Built-in piece

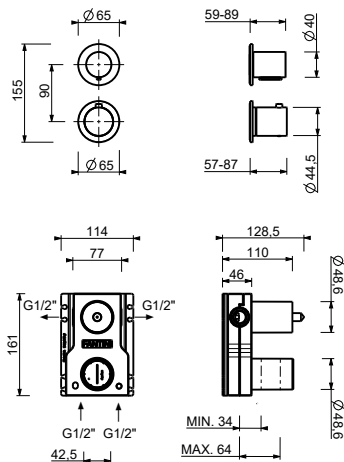
- | | |
|--------------------------|-------------|
| <input type="checkbox"/> | 44 00 M523A |
|--------------------------|-------------|

TOTAL PRICE

- | | |
|--|-------------|
| <input type="checkbox"/> Chrome | 87 02 G423B |
| <input type="checkbox"/> Matt Black | 87 13 G423B |
| <input type="checkbox"/> Matt Gun Metal PVD | 87 P5 G423B |
| <input type="checkbox"/> Matt British Gold PVD | 87 P6 G423B |
| <input type="checkbox"/> Deep Black PVD | 87 S1 G423B |

ART. G423B+M523A

1/2" built-in thermostatic shower mixer



Way number 1

Pressure(bar)	Flow rate (l/min)
0.5	8.44
1	11.87
2	16.79
3	20.5
4	23.76

Way number 2

Pressure(bar)	Flow rate (l/min)
0.5	7.45
1	10.47
2	14.59
3	17.9
4	20.7