



## ART. H791B+H590A

### Rubinetto di arresto

- pulsante ON/OFF con regolazione di portata serigrafia doccia
- isolamento acustico
- per montaggio orizzontale e verticale
- ingressi da 1/2"

### Data

---

### Progetto/Note

---

---

---

---

---

---

---

#### Parte esterna

- |  |             |
|--|-------------|
| <input type="checkbox"/> Cromo                 | 87 02 H791B |
| <input type="checkbox"/> Polished Nickel PVD   | 87 95 H791B |
| <input type="checkbox"/> Matt Gun Metal PVD    | 87 P5 H791B |
| <input type="checkbox"/> Matt British Gold PVD | 87 P6 H791B |
| <input type="checkbox"/> Matt Copper PVD       | 87 P9 H791B |
| <input type="checkbox"/> Pure Brass PVD        | 87 Q7 H791B |
| <input type="checkbox"/> Raw Metal PVD         | 87 Q8 H791B |

#### Parte da incasso

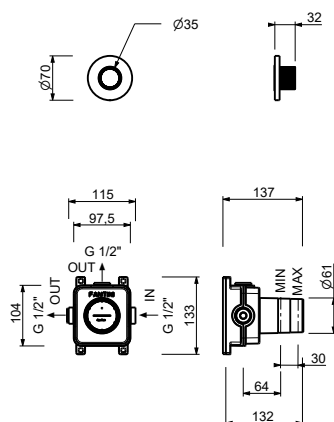
- |                          |             |
|--------------------------|-------------|
| <input type="checkbox"/> | 44 00 H590A |
|--------------------------|-------------|

#### Prezzo totale

- |  |             |
|--|-------------|
| <input type="checkbox"/> Cromo                 | 87 02 H791B |
| <input type="checkbox"/> Polished Nickel PVD   | 87 95 H791B |
| <input type="checkbox"/> Matt Gun Metal PVD    | 87 P5 H791B |
| <input type="checkbox"/> Matt British Gold PVD | 87 P6 H791B |
| <input type="checkbox"/> Matt Copper PVD       | 87 P9 H791B |
| <input type="checkbox"/> Pure Brass PVD        | 87 Q7 H791B |
| <input type="checkbox"/> Raw Metal PVD         | 87 Q8 H791B |

# ICONA DECO

ART. H791B+H590A  
Rubinetto di arresto



## USCITA 1

Pressione(bar)	Portata (l/min)
0.5	4.48
1	14.23
2	21.17
3	26.38
4	30.71