



ART. B913B+R010A

Wall-mount washbasin mixer

- spout projection 20 cm
- handles
- flow restrictor 5 l/min at 3 bar
- 90° ceramic cartridge
- 1/2" inlets
- WITHOUT WASTE

Date _____

Project/Comments: _____

External piece

- | | |
|-------------------------------------|-------------|
| <input type="checkbox"/> Chrome | 26 02 B913B |
| <input type="checkbox"/> Matt Black | 26 13 B913B |

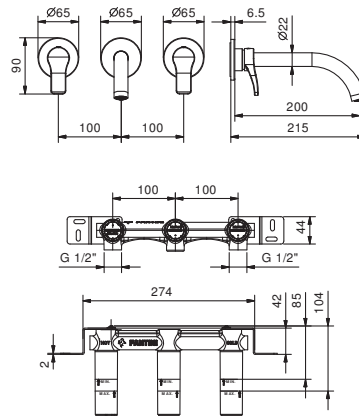
Built-in piece

- | | |
|--------------------------|-------------|
| <input type="checkbox"/> | 44 00 R010A |
|--------------------------|-------------|

TOTAL PRICE

- | | |
|-------------------------------------|-------------|
| <input type="checkbox"/> Chrome | 26 02 B913B |
| <input type="checkbox"/> Matt Black | 26 13 B913B |

ART. B913B+R010A
Wall-mount washbasin mixer



• **Integrated aerator**

Pressure(bar)	Flow rate (l/min)
0.5	3.46
1	4.62
2	5.58
3	5.53
4	5.64