

ART. P013B+R010A

Wall-mount washbasin mixer

- spout projection 20 cm
- handles
- flow restrictor 5 l/min at 3 bar
- 90° ceramic cartridge
- 1/2" inlets
- WITHOUT WASTE

Date _____

Project/Comments: _____

External piece

- | | |
|---|-------------|
| <input type="checkbox"/> Matt Gun Metal PVD | 47 P5 P013B |
| <input type="checkbox"/> Pure Brass PVD | 47 Q7 P013B |
| <input type="checkbox"/> Raw Metal PVD | 47 Q8 P013B |

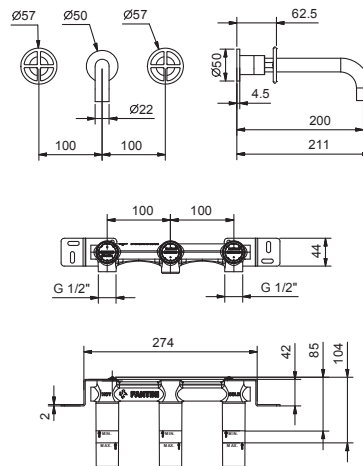
Built-in piece

- | | |
|--------------------------|-------------|
| <input type="checkbox"/> | 44 00 R010A |
|--------------------------|-------------|

TOTAL PRICE

- | | |
|---|-------------|
| <input type="checkbox"/> Matt Gun Metal PVD | 47 P5 P013B |
| <input type="checkbox"/> Pure Brass PVD | 47 Q7 P013B |
| <input type="checkbox"/> Raw Metal PVD | 47 Q8 P013B |

ART. P013B+R010A
Wall-mount washbasin mixer



• **Integrated aerator**

Pressure(bar)	Flow rate (l/min)
0.5	2.32
1	3.1
2	4.1
3	5.1
4	5.54