

ART. P063B+M063A

Built-in shower mixer

- handle
- no. 1 1/2" outlet
- 1/2" inlets
- soundproof

Date _____

Project/Comments: _____

External piece

- | | |
|---------------------------------------------|-------------|
| <input type="checkbox"/> Matt Gun Metal PVD | 47 P5 P063B |
| <input type="checkbox"/> Pure Brass PVD | 47 Q7 P063B |
| <input type="checkbox"/> Raw Metal PVD | 47 Q8 P063B |

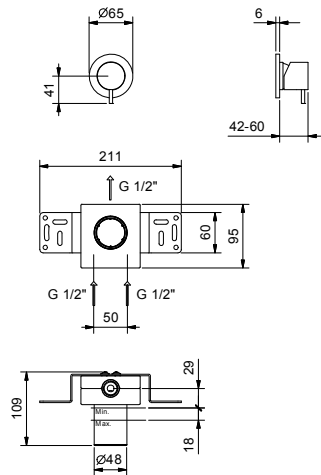
Built-in piece

- | | |
|--------------------------|-------------|
| <input type="checkbox"/> | 44 00 M063A |
|--------------------------|-------------|

TOTAL PRICE

- | | |
|---------------------------------------------|-------------|
| <input type="checkbox"/> Matt Gun Metal PVD | 47 P5 P063B |
| <input type="checkbox"/> Pure Brass PVD | 47 Q7 P063B |
| <input type="checkbox"/> Raw Metal PVD | 47 Q8 P063B |

ART. P063B+M063A
Built-in shower mixer



Way number 1

Pressure(bar)	Flow rate (l/min)
0.5	8.31
1	13.58
2	18.83
3	23.86
4	27.6