

## ART. P685B+M585A

### Built-in shower mixer

- handles
- 2-way diverter with turning knob
- 1/2" inlets
- soundproof
- for vertical installation only

Date \_\_\_\_\_

Project/Comments: \_\_\_\_\_

\_\_\_\_\_

\_\_\_\_\_

\_\_\_\_\_

\_\_\_\_\_

\_\_\_\_\_

\_\_\_\_\_

### External piece

- |   |             |
|---|-------------|
| <input type="checkbox"/> Matt Gun Metal PVD | 47 P5 P685B |
| <input type="checkbox"/> Pure Brass PVD     | 47 Q7 P685B |
| <input type="checkbox"/> Raw Metal PVD      | 47 Q8 P685B |

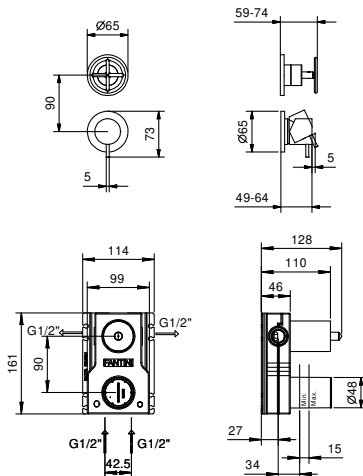
### Built-in piece

- |                          |             |
|--------------------------|-------------|
| <input type="checkbox"/> | 44 00 M585A |
|--------------------------|-------------|

### TOTAL PRICE

- |   |             |
|---|-------------|
| <input type="checkbox"/> Matt Gun Metal PVD | 47 P5 P685B |
| <input type="checkbox"/> Pure Brass PVD     | 47 Q7 P685B |
| <input type="checkbox"/> Raw Metal PVD      | 47 Q8 P685B |

**ART. P685B+M585A**  
Built-in shower mixer



**Way number 1**

Pressure(bar)	Flow rate (l/min)
0.5	8.44
1	11.87
2	16.79
3	20.5
4	23.76

**Way number 2**

Pressure(bar)	Flow rate (l/min)
0.5	7.45
1	10.47
2	14.59
3	17.9
4	20.7