

ART. P687B+M587A

Built-in shower mixer

- handles
- 3-way diverter with turning knob
- 1/2" inlets
- soundproof
- for vertical installation only

Date _____

Project/Comments: _____

External piece

- | | |
|---|-------------|
| <input type="checkbox"/> Matt Gun Metal PVD | 47 P5 P687B |
| <input type="checkbox"/> Pure Brass PVD | 47 Q7 P687B |
| <input type="checkbox"/> Raw Metal PVD | 47 Q8 P687B |

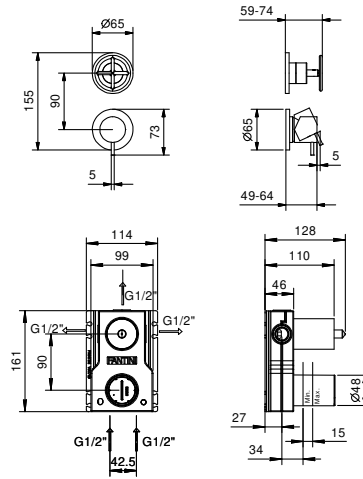
Built-in piece

- | | |
|--------------------------|-------------|
| <input type="checkbox"/> | 44 00 M587A |
|--------------------------|-------------|

TOTAL PRICE

- | | |
|---|-------------|
| <input type="checkbox"/> Matt Gun Metal PVD | 47 P5 P687B |
| <input type="checkbox"/> Pure Brass PVD | 47 Q7 P687B |
| <input type="checkbox"/> Raw Metal PVD | 47 Q8 P687B |

ART. P687B+M587A
Built-in shower mixer



Way number 1

| Pressure(bar) | Flow rate (l/min) |
|---------------|-------------------|
| 0.5 | 9.25 |
| 1 | 12.87 |
| 2 | 18.34 |
| 3 | 22.32 |
| 4 | 25.59 |

Way number 2

| Pressure(bar) | Flow rate (l/min) |
|---------------|-------------------|
| 0.5 | 7.81 |
| 1 | 10.87 |
| 2 | 15.31 |
| 3 | 18.62 |
| 4 | 21.55 |

Way number 3

| Pressure(bar) | Flow rate (l/min) |
|---------------|-------------------|
| 0.5 | 8.14 |
| 1 | 11.34 |
| 2 | 15.99 |
| 3 | 19.42 |
| 4 | 22.43 |