



## ART. P500B+H500A

### 3/4" built-in thermostatic shower mixer

- handle
- 3/4" inlets
- soundproof
- without stop valve to be ordered separately

N.B. The mixer must always be ordered with either of the stop valves P390B+D491A

Date \_\_\_\_\_

Project/Comments: \_\_\_\_\_  
 \_\_\_\_\_  
 \_\_\_\_\_  
 \_\_\_\_\_  
 \_\_\_\_\_  
 \_\_\_\_\_

#### External piece

- |   |             |
|---|-------------|
| <input type="checkbox"/> Matt Gun Metal PVD | 47 P5 P500B |
| <input type="checkbox"/> Pure Brass PVD     | 47 Q7 P500B |
| <input type="checkbox"/> Raw Metal PVD      | 47 Q8 P500B |

#### Built-in piece

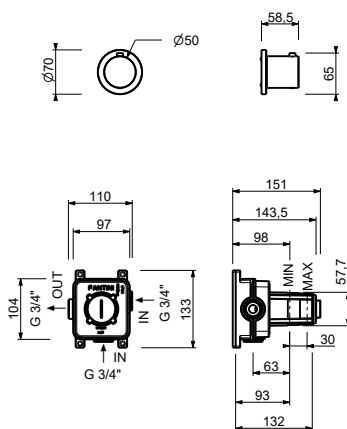
- |                          |             |
|--------------------------|-------------|
| <input type="checkbox"/> | 44 00 H500A |
|--------------------------|-------------|

#### TOTAL PRICE

- |   |             |
|---|-------------|
| <input type="checkbox"/> Matt Gun Metal PVD | 47 P5 P500B |
| <input type="checkbox"/> Pure Brass PVD     | 47 Q7 P500B |
| <input type="checkbox"/> Raw Metal PVD      | 47 Q8 P500B |

## ART. P500B+H500A

3/4" built-in thermostatic shower mixer



### Way number 1

Pressure(bar)	Flow rate (l/min)
0.5	11.5
1	16.48
2	23.36
3	28.69
4	33.3