



## ART. A991B+D391A

### Rubinetto di arresto 3/4"

- maniglia
- vitone ceramico 90°
- ingressi da 3/4"
- isolamento acustico

### Data

---

### Progetto/Note

---



---



---



---



---



---



---

#### Parte esterna

- |  |             |
|--|-------------|
| <input type="checkbox"/> Cromo                     | 27 02 A991B |
| <input type="checkbox"/> Matt Gun Metal PVD        | 27 P5 A991B |
| <input type="checkbox"/> Matt British Gold PVD     | 27 P6 A991B |
| <input type="checkbox"/> Matt Copper PVD           | 27 P9 A991B |
| <input type="checkbox"/> <b>Acciaio spazzolato</b> | 27 93 A991B |

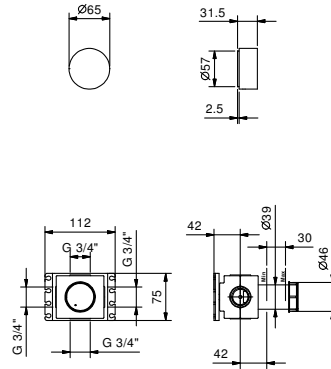
#### Parte da incasso

- |                          |             |
|--------------------------|-------------|
| <input type="checkbox"/> | 19 00 D391A |
|--------------------------|-------------|

#### Prezzo totale

- |  |             |
|--|-------------|
| <input type="checkbox"/> Cromo                 | 27 02 A991B |
| <input type="checkbox"/> Matt Gun Metal PVD    | 27 P5 A991B |
| <input type="checkbox"/> Matt British Gold PVD | 27 P6 A991B |
| <input type="checkbox"/> Matt Copper PVD       | 27 P9 A991B |
| <input type="checkbox"/> Acciaio spazzolato    | 27 93 A991B |

**ART. A991B+D391A**  
**Rubinetto di arresto 3/4"**



**USCITA 1**

Pressione(bar)	Portata (l/min)
0.5	25.94
1	35.83
2	46.86
3	46.86
4	46.86