



ART. A991B+D391A

3/4" Absperrventil

- Griff
- 90° Keramikventil
- 3/4" Eingänge
- Schallschutz

Datum

Project/Kommentar

AP-Teil

- | | |
|---|-------------|
| <input type="checkbox"/> Chrom | 27 02 A991B |
| <input type="checkbox"/> Matt Gun Metal PVD | 27 P5 A991B |
| <input type="checkbox"/> Matt British Gold PVD | 27 P6 A991B |
| <input type="checkbox"/> Matt Copper PVD | 27 P9 A991B |
| <input type="checkbox"/> Edelstahl gebürstet | 27 93 A991B |

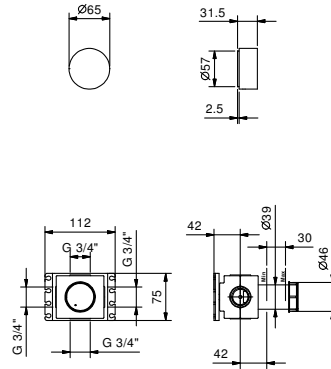
UP-Teil

- | | |
|--------------------------|-------------|
| <input type="checkbox"/> | 19 00 D391A |
|--------------------------|-------------|

GESAMTPREIS

- | | |
|--|-------------|
| <input type="checkbox"/> Chrom | 27 02 A991B |
| <input type="checkbox"/> Matt Gun Metal PVD | 27 P5 A991B |
| <input type="checkbox"/> Matt British Gold PVD | 27 P6 A991B |
| <input type="checkbox"/> Matt Copper PVD | 27 P9 A991B |
| <input type="checkbox"/> Edelstahl gebürstet | 27 93 A991B |

ART. A991B+D391A
3/4" Absperrventil



Abgang Nummer 1

Wasserdruck(bar)	Durchfluss (l/min)
0.5	25.94
1	35.83
2	46.86
3	46.86
4	46.86