



## ART. A991B+D391A

### 3/4" stop valve

- handle
- 90° ceramic cartridge
- 3/4" inlets
- soundproof

Date \_\_\_\_\_

Project/Comments: \_\_\_\_\_  
 \_\_\_\_\_  
 \_\_\_\_\_  
 \_\_\_\_\_  
 \_\_\_\_\_  
 \_\_\_\_\_

#### External piece

- |   |             |
|---|-------------|
| <input type="checkbox"/> Chrome                         | 27 02 A991B |
| <input type="checkbox"/> Matt Gun Metal PVD             | 27 P5 A991B |
| <input type="checkbox"/> Matt British Gold PVD          | 27 P6 A991B |
| <input type="checkbox"/> Matt Copper PVD                | 27 P9 A991B |
| <input type="checkbox"/> <b>Brushed Stainless Steel</b> | 27 93 A991B |

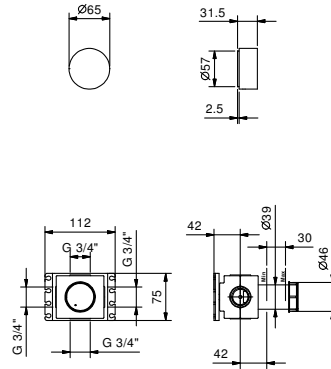
#### Built-in piece

- |                          |             |
|--------------------------|-------------|
| <input type="checkbox"/> | 19 00 D391A |
|--------------------------|-------------|

#### TOTAL PRICE

- |  |             |
|--|-------------|
| <input type="checkbox"/> Chrome                  | 27 02 A991B |
| <input type="checkbox"/> Matt Gun Metal PVD      | 27 P5 A991B |
| <input type="checkbox"/> Matt British Gold PVD   | 27 P6 A991B |
| <input type="checkbox"/> Matt Copper PVD         | 27 P9 A991B |
| <input type="checkbox"/> Brushed Stainless Steel | 27 93 A991B |

**ART. A991B+D391A**  
**3/4" stop valve**



**Way number 1**

| Pressure(bar) | Flow rate (l/min) |
|---------------|-------------------|
| 0.5           | 25.94             |
| 1             | 35.83             |
| 2             | 46.86             |
| 3             | 46.86             |
| 4             | 46.86             |