



## ART. A787B+A787A

### Built-in shower mixer

- handles
- 3-way diverter with turning knob
- 1/2" inlets
- soundproof

Date \_\_\_\_\_

Project/Comments: \_\_\_\_\_  
 \_\_\_\_\_  
 \_\_\_\_\_  
 \_\_\_\_\_  
 \_\_\_\_\_  
 \_\_\_\_\_

#### External piece

- Chrome 27 02 A787B
- Matt Gun Metal PVD 27 P5 A787B
- Matt British Gold PVD 27 P6 A787B
- Matt Copper PVD 27 P9 A787B
- Brushed Stainless Steel** 27 93 A787B

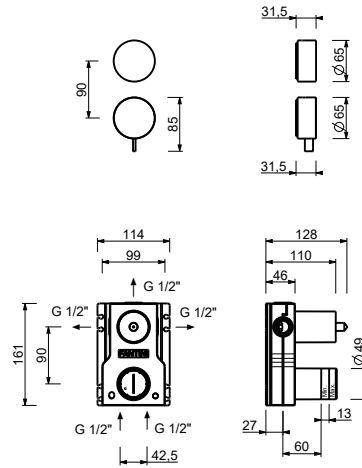
#### Built-in piece

- 44 00 A787A

#### TOTAL PRICE

- Chrome 27 02 A787B
- Matt Gun Metal PVD 27 P5 A787B
- Matt British Gold PVD 27 P6 A787B
- Matt Copper PVD 27 P9 A787B
- Brushed Stainless Steel 27 93 A787B

**ART. A787B+A787A**  
**Built-in shower mixer**



**Way number 1**

Pressure(bar)	Flow rate (l/min)
0.5	9.25
1	12.87
2	18.34
3	22.32
4	25.59

**Way number 2**

Pressure(bar)	Flow rate (l/min)
0.5	7.81
1	10.87
2	15.31
3	18.62
4	21.55

**Way number 3**

Pressure(bar)	Flow rate (l/min)
0.5	8.14
1	11.34
2	15.99
3	19.42
4	22.43