



ART. A813BCY+R010A

Wall-mount washbasin mixer - Handles in MARQUINA BLACK MARBLE

- spout projection 21,5 cm
- handles
- flow restrictor 5 l/min at 3 bar
- 90° ceramic cartridge
- 1/2" inlets
- WITHOUT WASTE

Date _____

Project/Comments: _____

External piece

- | | |
|---------------------------------------------------------|---------------|
| <input type="checkbox"/> Chrome | 27 02 A813BCY |
| <input type="checkbox"/> Matt Gun Metal PVD | 27 P5 A813BCY |
| <input type="checkbox"/> Matt British Gold PVD | 27 P6 A813BCY |
| <input type="checkbox"/> Matt Copper PVD | 27 P9 A813BCY |
| <input type="checkbox"/> Brushed Stainless Steel | 27 93 A813BCY |

TOTAL PRICE

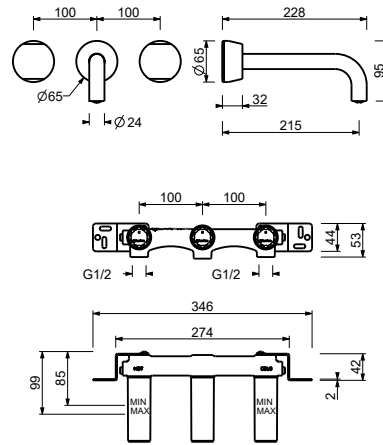
- | | |
|--------------------------------------------------|---------------|
| <input type="checkbox"/> Chrome | 27 02 A813BCY |
| <input type="checkbox"/> Matt Gun Metal PVD | 27 P5 A813BCY |
| <input type="checkbox"/> Matt British Gold PVD | 27 P6 A813BCY |
| <input type="checkbox"/> Matt Copper PVD | 27 P9 A813BCY |
| <input type="checkbox"/> Brushed Stainless Steel | 27 93 A813BCY |

Built-in piece

- | | |
|--------------------------|-------------|
| <input type="checkbox"/> | 44 00 R010A |
|--------------------------|-------------|

ART. A813BCY+R010A

Wall-mount washbasin mixer - Handles in MARQUINA BLACK MARBLE



• Integrated aerator

Pressure(bar)	Flow rate (l/min)
0.5	3.46
1	4.62
2	5.58
3	5.53
4	5.64