



## ART. A785BCX+A785A

**Built-in shower mixer - Handles in CARRARA WHITE MARBLE**

- handles
- 2-way diverter with turning knob
- 1/2" inlets
- soundproof

Date \_\_\_\_\_

Project/Comments: \_\_\_\_\_  
 \_\_\_\_\_  
 \_\_\_\_\_  
 \_\_\_\_\_  
 \_\_\_\_\_  
 \_\_\_\_\_

### External piece

- Chrome 27 02 A785BCX
- Matt Gun Metal PVD 27 P5 A785BCX
- Matt British Gold PVD 27 P6 A785BCX
- Matt Copper PVD 27 P9 A785BCX
- Brushed Stainless Steel** 27 93 A785BCX

### Built-in piece

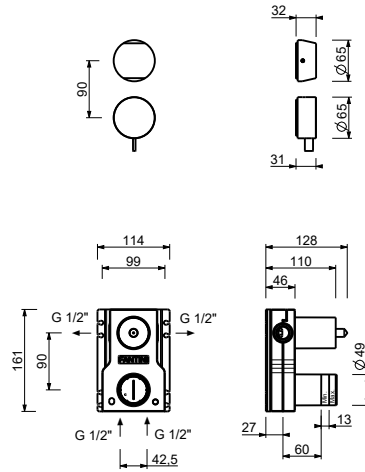
- 44 00 A785A

### TOTAL PRICE

- Chrome 27 02 A785BCX
- Matt Gun Metal PVD 27 P5 A785BCX
- Matt British Gold PVD 27 P6 A785BCX
- Matt Copper PVD 27 P9 A785BCX
- Brushed Stainless Steel 27 93 A785BCX

## ART. A785BCX+A785A

Built-in shower mixer - Handles in CARRARA WHITE MARBLE



### Way number 1

Pressure(bar)	Flow rate (l/min)
0.5	8.44
1	11.87
2	16.79
3	20.5
4	23.76

### Way number 2

Pressure(bar)	Flow rate (l/min)
0.5	7.45
1	10.47
2	14.59
3	17.9
4	20.7