

ART. A973BCY+D373A

Fecha _____

Monomando termostático ducha empotrado 3/4" - Maneta en MÁRMOL NEGRO MARQUINIA

- manetas
- desviador giratorio con cierre 3 salidas
- solo para montaje horizontal
- entradas de 3/4"

Proyecto/Comentarios

Parte externa

- | | |
|---|---------------|
| <input type="checkbox"/> Cromo | 27 02 A973BCY |
| <input type="checkbox"/> Matt Gun Metal PVD | 27 P5 A973BCY |
| <input type="checkbox"/> Matt British Gold PVD | 27 P6 A973BCY |
| <input type="checkbox"/> Matt Copper PVD | 27 P9 A973BCY |
| <input type="checkbox"/> Acero Cepillado | 27 93 A973BCY |

PRECIO TOTAL

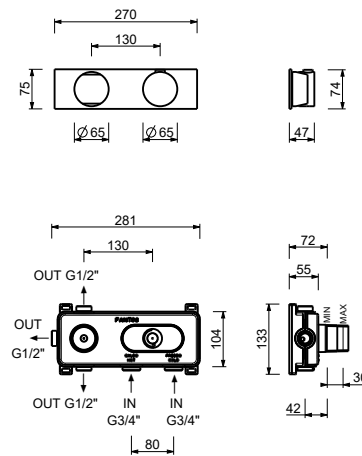
- | | |
|--|---------------|
| <input type="checkbox"/> Cromo | 27 02 A973BCY |
| <input type="checkbox"/> Matt Gun Metal PVD | 27 P5 A973BCY |
| <input type="checkbox"/> Matt British Gold PVD | 27 P6 A973BCY |
| <input type="checkbox"/> Matt Copper PVD | 27 P9 A973BCY |
| <input type="checkbox"/> Acero Cepillado | 27 93 A973BCY |

Parte empotrable

- | | |
|--------------------------|-------------|
| <input type="checkbox"/> | 19 00 D373A |
|--------------------------|-------------|

ART. A973BCY+D373A

Monomando termostático ducha empotrado 3/4" - Maneta en MÁRMOL NEGRO MARQUINIA



Salida 1

| Presión(bar) | Caudal (l/min) |
|--------------|----------------|
| 0.5 | 8.86 |
| 1 | 12.53 |
| 2 | 17.57 |
| 3 | 21.63 |
| 4 | 25.02 |

Salida 2

| Presión(bar) | Caudal (l/min) |
|--------------|----------------|
| 0.5 | 7.91 |
| 1 | 11.03 |
| 2 | 15.47 |
| 3 | 19.01 |
| 4 | 21.98 |

Salida 3

| Presión(bar) | Caudal (l/min) |
|--------------|----------------|
| 0.5 | 7.6 |
| 1 | 10.79 |
| 2 | 15.43 |
| 3 | 18.87 |
| 4 | 21.91 |