



ART. A817BCX+A817A

Built-in bathtub mixer - Handles in CARRARA WHITE MARBLE

- without spout
- handles
- 2-way diverter with turning knob
- FIT handshower
- water plug with showerholder
- 150 cm PVC flexible
- 90° ceramic cartridge
- 1/2" inlets

Date _____

Project/Comments: _____

External piece

- | | |
|---|---------------|
| <input type="checkbox"/> Chrome | 27 02 A817BCX |
| <input type="checkbox"/> Matt Gun Metal PVD | 27 P5 A817BCX |
| <input type="checkbox"/> Matt British Gold PVD | 27 P6 A817BCX |
| <input type="checkbox"/> Matt Copper PVD | 27 P9 A817BCX |
| <input type="checkbox"/> Brushed Stainless Steel | 27 93 A817BCX |

TOTAL PRICE

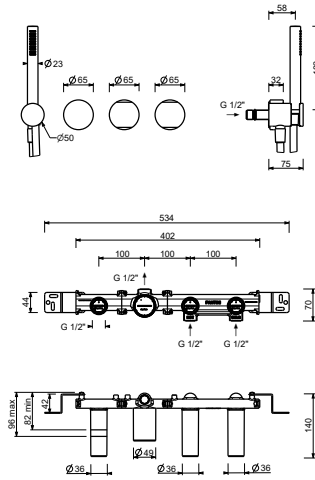
- | | |
|--|---------------|
| <input type="checkbox"/> Chrome | 27 02 A817BCX |
| <input type="checkbox"/> Matt Gun Metal PVD | 27 P5 A817BCX |
| <input type="checkbox"/> Matt British Gold PVD | 27 P6 A817BCX |
| <input type="checkbox"/> Matt Copper PVD | 27 P9 A817BCX |
| <input type="checkbox"/> Brushed Stainless Steel | 27 93 A817BCX |

Built-in piece

- | | |
|--------------------------|-------------|
| <input type="checkbox"/> | 44 00 A817A |
|--------------------------|-------------|

ART. A817BCX+A817A

Built-in bathtub mixer - Handles in CARRARA WHITE MARBLE



• Integrated aerator

Pressure(bar)	Flow rate (l/min)
0.5	8.65
1	13.51
2	18.76
3	23.12
4	26.86

• handshower

Pressure(bar)	Flow rate (l/min)
0.5	4.05
1	5.79
2	7.83
3	8.64
4	8.25